

# G2/R2-R4

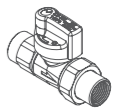
## VALVES FOR GAS APPLIANCES



### G2

Valves for gas appliances with Firebag® thermal safety device and TECOBLOCK handle

215



219

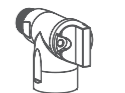


220

### R2 - R4 [ DIN-EN 15069 ]

Shut-off valves for hoses with quick connection and FIREBAG® thermal safety device

222



224

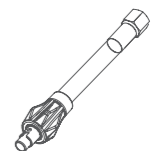


226

### RTD HOSES [ DIN-EN 14800 ]

Hoses for safety bayonet connection for R2 - R4

225



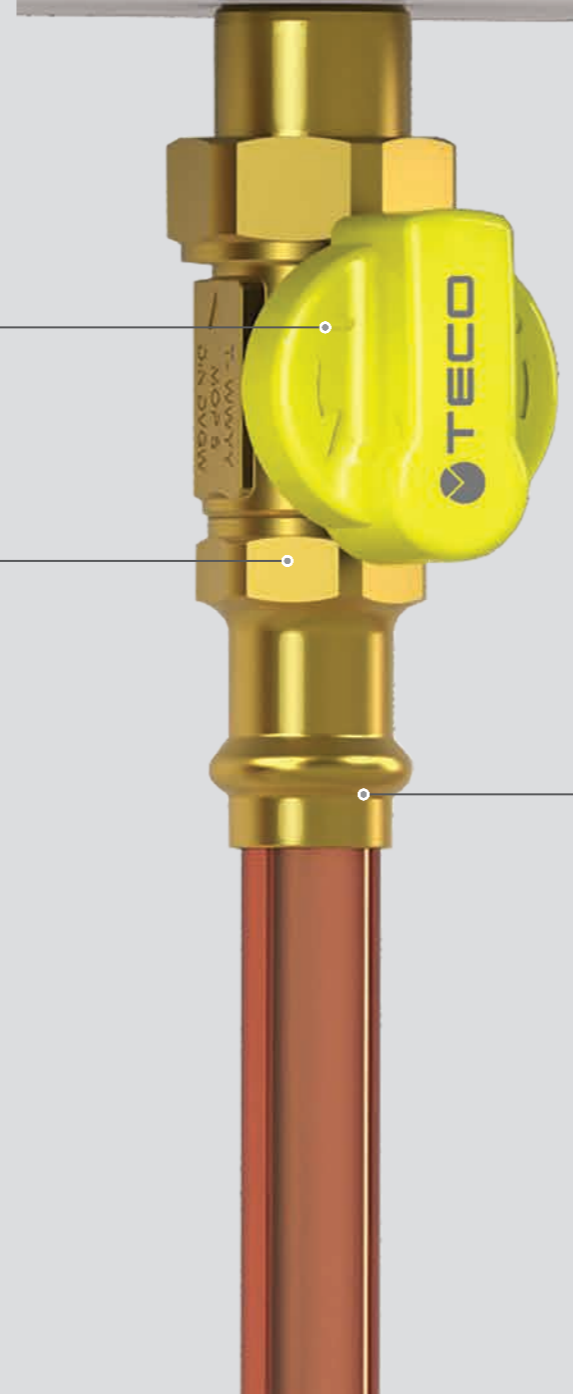
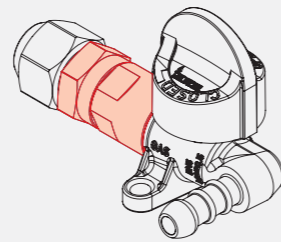
# G2

## VALVES FOR GAS APPLIANCES WITH FIREBAG® THERMAL SAFETY DEVICE

G2 valves are designed and built to guarantee maximum safety in gas systems. They have FIREBAG® thermally activated safety device and TECOBLOCK handles. The range includes both the straight and elbow version, in DN15-20-25 sizes.

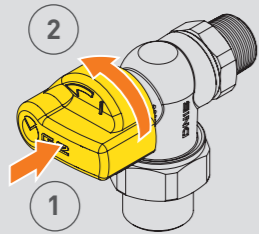


Over the years, numerous "tailor made" versions have joined the catalogue range of products. Our research and development department, TECO R&D, has developed customised constructional or technical features for products, supporting customer requests and the system engineering needs of the market through mutual cooperation.



### TECOBLOCK HANDLE

TECOBLOCK system for locking the valve in the closed position. It can never be opened accidentally. The valve can only be opened after pressing the handle.



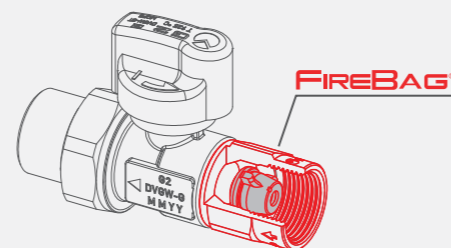
### UNIPRESS®



Teco also offers the valves with crimp connections compatible with copper pipes in accordance with the **DVGW-G 5614** standard and in compliance with UNI 1065. The fittings are compatible with the crimping tools for DVGW certified **-M-** or **-V-** systems.

### FIREBAG® - TAE

The valves have a FIREBAG® thermal safety device built into the steel inlet fitting. This solution makes it possible to leave the valve dimensions unchanged. FIREBAG® is built in accordance with the **DIN 3586** standard and is built into DN15-20-25 valves; it activates at a temperature of **100°C -5K** and can withstand up to **650 °C** for 30' at a pressure of **5 bar**. (see page 231)

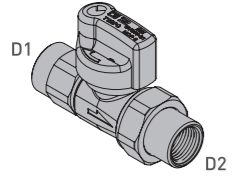
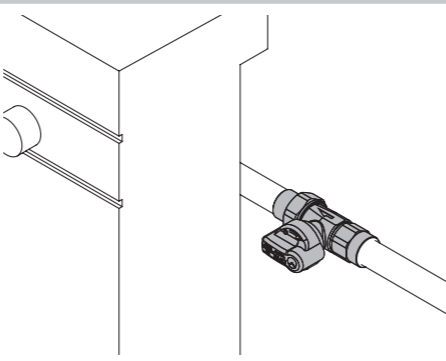
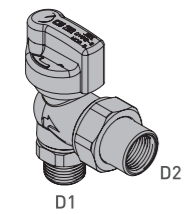
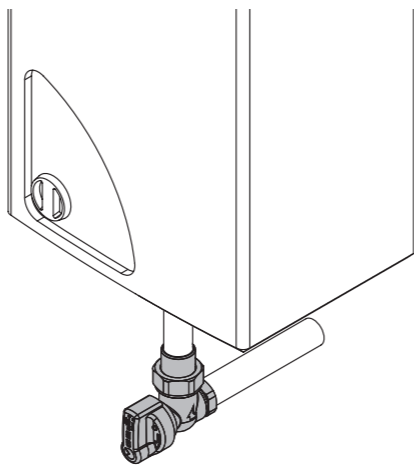
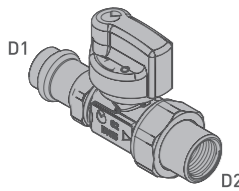
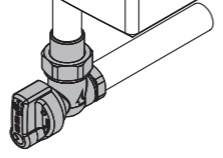
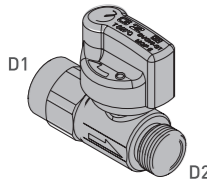
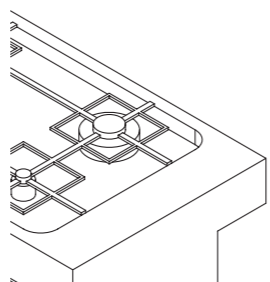
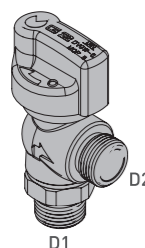
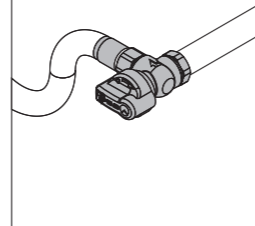


#### CERTIFICATIONS AND TECHNICAL SPECIFICATIONS

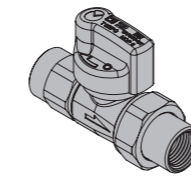
Reference standards	DIN EN 331 DIN 3586 DIN DVGW G5614 UE 2016/426
Working pressure	MOP 5 (5 bar)
Temperature	-20 °C +60 °C
High temperature resistance	HTB 650 °C for 30' (DIN EN331 C5)
Application	For all types of gas as specified in EN 437 and DVGW G260/1 (Methane, Butane, Propane)

#### VERSIONS FOR GAS APPLIANCES WITH HOSES

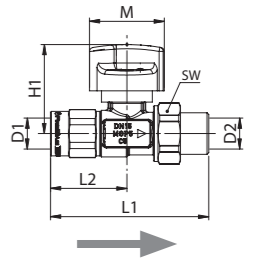


VERSION					APPLICATION EXAMPLES
<b>STRAIGHT VALVE WITH FIREBAG®, THREADED / THREADED FITTING VERSION</b> 	DN	<b>FIREBAG® TAE</b>	<b>D1</b> EN 10226-1	<b>D2</b> EN 10226-1	
	15	•	Rp1/2"	Rp1/2"	
	20	•	Rp3/4"	Rp3/4"	
	25	•	Rp1"	Rp1"	
<b>90° VALVE WITH FIREBAG®, THREADED / THREADED FITTING VERSION</b> 	DN	<b>FIREBAG® TAE</b>	<b>D1</b> EN 10226-1	<b>D2</b> EN 10226-1	
	15	•	R1/2"	Rp1/2"	
	20	•	R3/4"	Rp3/4"	
	25	•	R1"	Rp1"	
<b>STRAIGHT VALVE WITH FIREBAG®, CRIMP / THREADED FITTING VERSION</b> 	DN	<b>FIREBAG® TAE</b>	<b>D1</b> DV6W G5614	<b>D2</b> EN 10226-1	
	15	•	Ø15	Rp1/2"	
	15	•	Ø18	Rp1/2"	
	20	•	Ø22	Rp3/4"	
<b>STRAIGHT VALVE WITH FIREBAG®, THREADED VERSION</b> 	DN	<b>FIREBAG® TAE</b>	<b>D1</b> EN 10226-1	<b>D2</b> ISO 228-1	
	15	•	Rp1/2"	G1/2"	
<b>90° VALVE WITH FIREBAG®, THREADED VERSION</b> 	DN	<b>FIREBAG® TAE</b>	<b>D1</b> EN 10226-1	<b>D2</b> ISO 228-1	
	15	•	Rp1/2"	G1/2"	

STRAIGHT VALVE WITH FIREBAG®, THREADED / THREADED FITTING VERSION

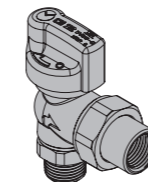


- TECOBLOCK handle
- MOP 5
- -20 °C +60 °C
- HTB 650 °C for 30' (DIN EN331 C5)

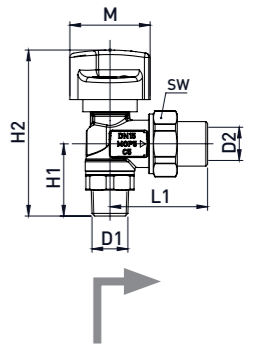


Code	DN	<b>FIREBAG® TAE</b>	Finish	D1	D2	M	L1	L2	H1	SW	Pack
G2T106C00	15	•	Chrome	Rp1/2"	Rp1/2"	45	95	46	54	34	15
G2T107C00	20	•	Chrome	Rp3/4"	Rp3/4"	45	109	54	57	41	10
G2T110C00	25	•	Chrome	Rp1"	Rp1"	45	135	68	59	48	5
G2T106B00	15	•	Yellow	Rp1/2"	Rp1/2"	45	95	46	54	34	15
G2T107B00	20	•	Yellow	Rp3/4"	Rp3/4"	45	109	54	57	41	10

90° VALVE WITH FIREBAG®, THREADED / THREADED FITTING VERSION

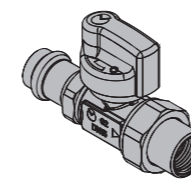


- TECOBLOCK handle
- MOP 5
- -20 °C +60 °C
- HTB 650 °C for 30' (DIN EN331 C5)

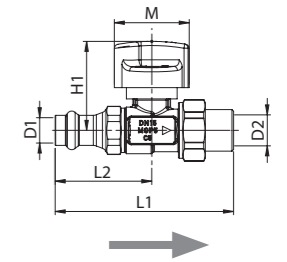


Code	DN	<b>FIREBAG® TAE</b>	Finish	D1	D2	M	H1	H2	L1	SW	Pack
G2T406C00	15	•	Chrome	R1/2"	Rp1/2"	45	40	93	53	34	15
G2T407C00	20	•	Chrome	R3/4"	Rp3/4"	45	43	96	55	41	10
G2T410C00	25	•	Chrome	R1"	Rp1"	45	50	108	80	48	5

STRAIGHT VALVE WITH FIREBAG®, CRIMP / THREADED FITTING VERSION

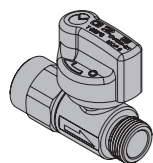


- TECOBLOCK handle
- MOP 5
- -20 °C +60 °C
- HTB 650 °C for 30' (DIN EN331 C1)

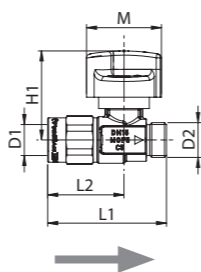


Code	DN	<b>FIREBAG® TAE</b>	Finish	D1	D2	M	L1	L2	H	SW	Pack
G2210PC100	15	•	Yellow	Ø15	Rp1/2"	45	58	107	54	34	10
G2210PC200	15	•	Yellow	Ø18	Rp1/2"	45	58	107	54	34	10
G2220PC100	20	•	Yellow	Ø22	Rp3/4"	45	63	118	57	41	10

STRAIGHT VALVE WITH FIREBAG®, THREADED VERSION

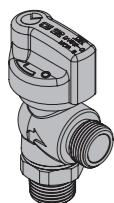


- TECOBLOCK handle
- MOP 5
- -20 °C +60 °C
- HTB 650 °C for 30' (DIN EN331 C5)

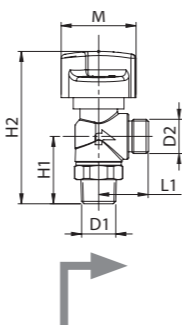


Code	DN	FIREBAG TAE	Finish	D1	D2	M	L1	L2	H1	Pack
G2T100C00	15	•	Chrome	Rp1/2"	G1/2"	45	72	46	54	20

90° VALVE WITH FIREBAG®, THREADED VERSION

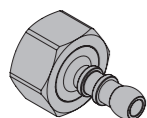


- TECOBLOCK handle
- MOP 5
- -20 °C +60 °C
- HTB 650 °C for 30' (DIN EN331 C5)

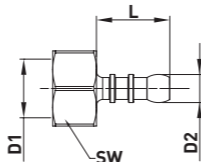


Code	DN	FIREBAG TAE	Finish	D1	D2	M	H1	H2	L1	Pack
G2T400C00	15	•	Chrome	R1/2"	G1/2"	45	40	93	30	20

HOSE CONNECTION FITTING



Accessory for hoses with threaded nut F 1/2" ISO 228 + seal



Code	D1 ISO 228-1	D2	hose Ø	L	SW	Pack
G4900C00	G1/2"	9	8	23	24	20
G4902C00	G1/2"	14	13	44	24	20



# R2

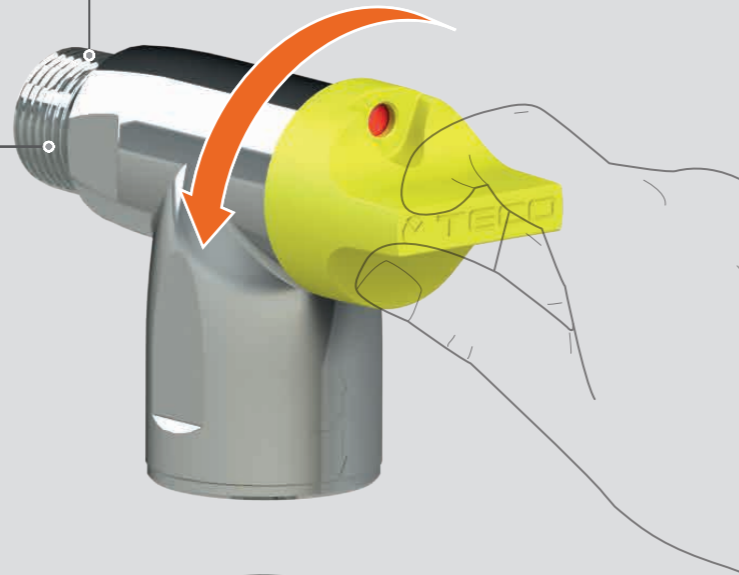
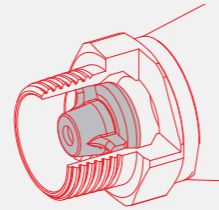
## VALVES FOR GAS HOSES WITH QUICK CONNECTION

### VERSION WITH FRONT CONTROL

Since 1992, TECO manufactures the valves with a quick safety connection [DIN3383]. R2 is the shut-off valve with front control. The easily accessible front handle facilitates opening and closing the valve.

## FIREBAG® - TAE

The valve has a thermal FIREBAG® safety device built into the steel inlet fitting. The FIREBAG® is built in accordance with the DIN 3586 standard. It activates at a temperature of 100°C -5K and withstands up to 650°C for 30' at a pressure of 0.5 bar. [see page 231]



### CERTIFICATIONS AND TECHNICAL SPECIFICATIONS - R2 VALVE

Reference standards	DIN EN 15069 DIN 3586
Pressure	MOP 0.5 (0,5 bar)
Temperature	-20°C +60 °C
High temperature resistance	HTB 650°C for 30' (GT 0.5 EN 1775)
Application	For all types of gas as specified in EN 437 and DVGW G260/1 (Methane, Butane, Propane)



### CERTIFICATIONS AND TECHNICAL SPECIFICATIONS - RTD HOSE

Reference standards	EN 14800:2007
Pressure	MOP 0.5 (0,5 bar)
Inlet: Bayonet quick coupling	DIN EN 15069
Outlet	Threaded to EN 10226-1
Internal hose	Stainless steel AISI 316
Protective sheath	Transparent PVC

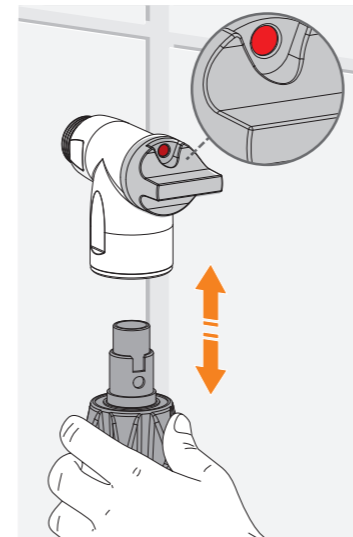


**i** Also for outdoor applications with temperatures of -20°C

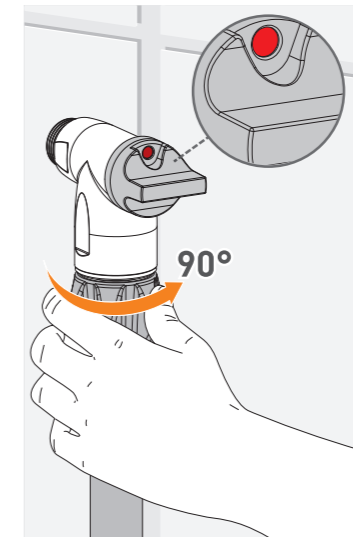
## GAS DRYER



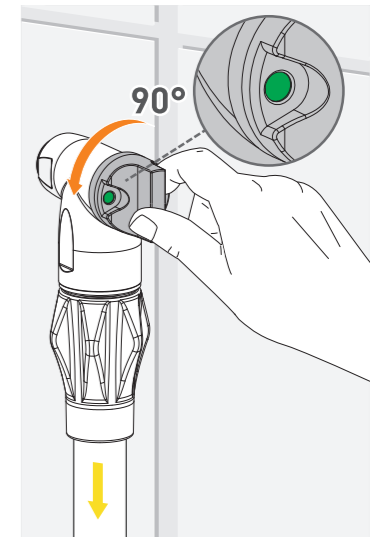
## SAFE CONNECTION



Hose insertion is QUICK and SAFE. The hose can only be disconnected when the valve is closed.

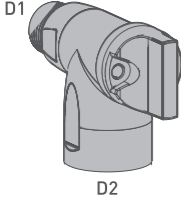
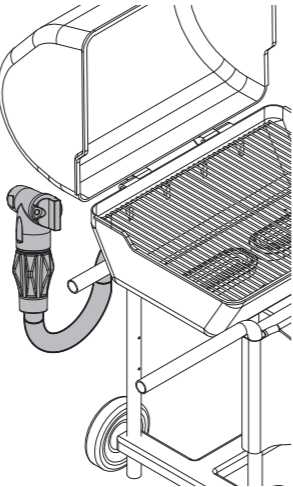
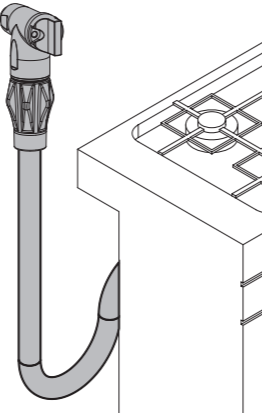
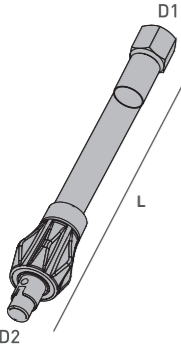
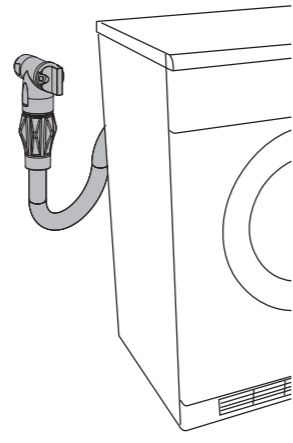
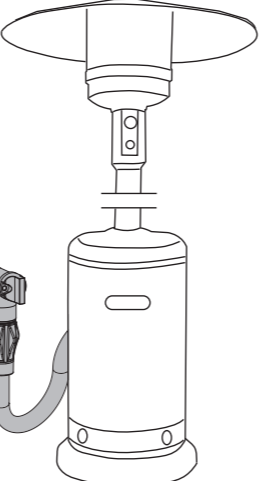


Turning the hose handle by 90° clamps it to the valve. The valve can only be opened in this position.

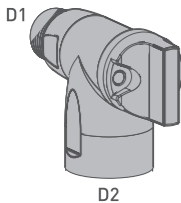
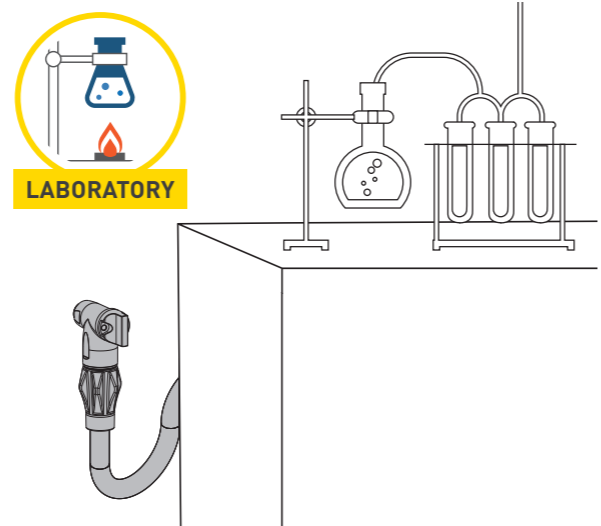


The valve is opened and closed using the control handle on the front.

R2 PRODUCT RANGE

R2					APPLICATION EXAMPLES	
 <p>D1 D2</p>	DN	<b>FIREBAG<sup>®</sup></b> TAE	D1 EN 10226-1	D2	 	
	12	•	R1/2"	DIN 3383-1		
 <p>D1 D2 L</p>	L		D1 EN 10226-1	D2	 	
	500		Rp1/2"	DIN 3383-1		
	750		Rp1/2"	DIN 3383-1		
	1000		Rp1/2"	DIN 3383-1		
	1250		Rp1/2"	DIN 3383-1		
	1500		Rp1/2"	DIN 3383-1		
2000		Rp1/2"	DIN 3383-1			

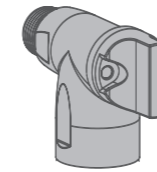
R2L

 <p>D1 D2</p>	DN	<b>FIREBAG<sup>®</sup></b> TAE	D1 EN 10226-1	D2	 <p><b>LABORATORY</b></p>
	12	•	R1/2"	DIN 3383-1	

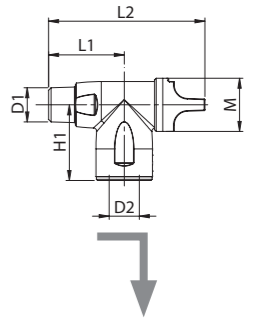
R2 VALVE WITH QUICK CONNECTION AND FRONT CONTROL

DIN-EN15069 90° VALVE

For DIN-EN14800 hoses



- MOP 0.5
- -20 °C +60 °C
- HTB 650 °C for 30' (GT 0.5 EN 1775)

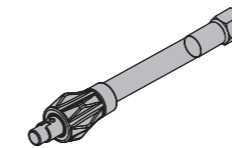


Code	DN	<b>FIREBAG<sup>®</sup></b> TAE	Finish	D1 EN 10226-1	D2	M	L1	L2	H1	Pack
R221100100	12	•	Polished chrome	R1/2"	DIN 3383-1	32	45	94	45	20

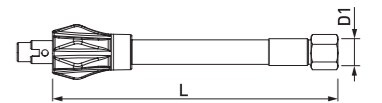
RTD CONNECTION HOSE

RTD HOSE

DIN-EN14800 hose



- MOP 0.5
- 0-120 °C

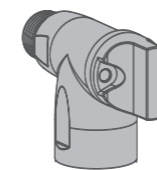


Code	D1	D2	L <sub>mm</sub>	Pack
R4TD0500	Rp1/2"	DIN 3383-1	500	1
R4TD0800	Rp1/2"	DIN 3383-1	750	1
R4TD1000	Rp1/2"	DIN 3383-1	1000	1
R4TD1250	Rp1/2"	DIN 3383-1	1250	1
R4TD1500	Rp1/2"	DIN 3383-1	1500	1
R4TD2000	Rp1/2"	DIN 3383-1	2000	1

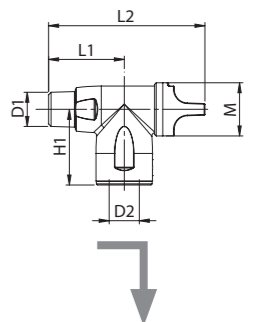
R2L VALVE WITH QUICK CONNECTION AND FRONT CONTROL FOR LABORATORY USE

DIN 3383-4 90° VALVE FOR LABORATORY USE

For DIN 30664-T4 hoses



- MOP 0.5
- -20 °C +60 °C
- HTB 650 °C for 30' (GT 0.5 EN 1775)



Code	DN	<b>FIREBAG<sup>®</sup></b> TAE	Finish	D1	D2	M	L1	L2	H1	Pack
R221100200	12	•	Polished chrome	R1/2"	DIN 3383-4	32	45	94	45	20

# R4

## VALVES FOR GAS HOSES WITH QUICK CONNECTION

### CONTROL VERSION WITH HANDLE ON HOSE

Since 1992, TECO manufactures the R4 range valves with a quick connection [DIN3383].

R4 is the shut-off valve with quick connection that only lets gas pass when the hose is inserted.

The valve is opened and closes using the handle located on the hose.

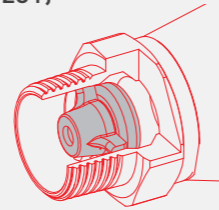


#### CERTIFICATIONS AND TECHNICAL SPECIFICATIONS - R4 VALVE

Reference standards	DIN EN 15069 DIN 3586
Pressure	MOP 0.5 (0,5 bar)
Temperature	-40 °C +60 °C
High temperature resistance	FIREBAG® with HTB seal 650 °C for 30' C0.5
Application	For all types of gas as specified in EN 437 and DVGW G260/1 (Methane, Butane, Propane)

## FIREBAG® - TAE

The valve has a thermal FIREBAG® safety device built into the steel inlet fitting. The FIREBAG is built in accordance with the DIN 3586 standard. It activates at a temperature of 100°C -5K and withstands up to 650 °C for 30' at a pressure of 0.5 bar. (see page 231)

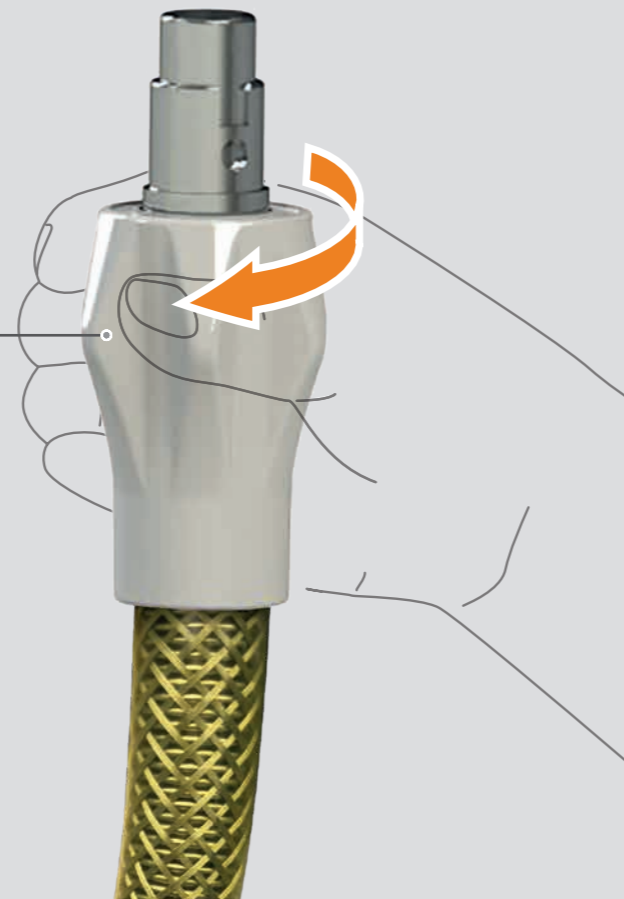


A version without FIREBAG® is also available, with HTB seal 650 °C for 30' C05 (Code R4030C00 - see page 229)

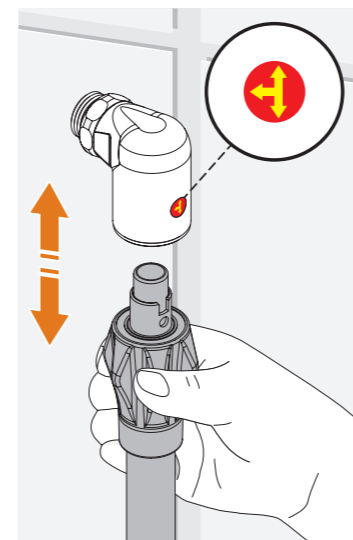


#### CERTIFICATIONS AND TECHNICAL SPECIFICATIONS - RTD HOSE

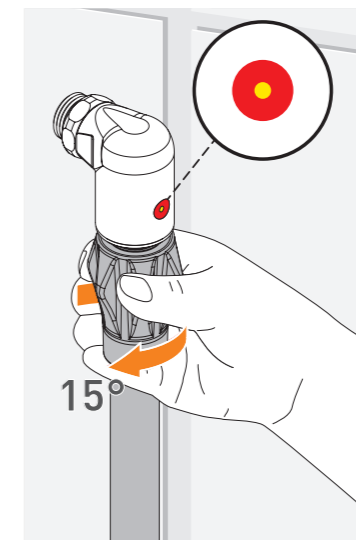
Reference standards	DIN-EN 14800:2007
Pressure	MOP 0.5 (0,5 bar)
Inlet: Bayonet quick coupling	DIN EN 15069
Outlet	Threaded to EN 10226-1
Internal hose	Stainless steel AISI 316
Protective sheath	Transparent PVC



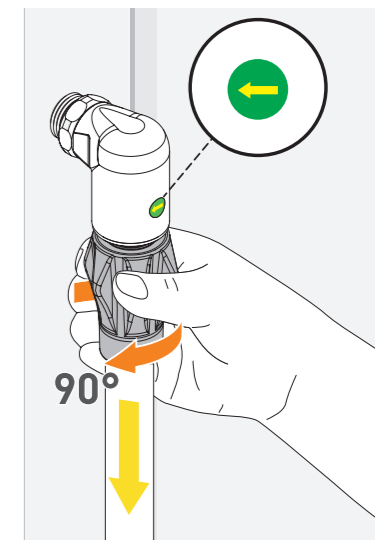
## SAFE CONNECTION



Hose insertion is QUICK and SAFE. The hose can only be disconnected when the valve is closed.

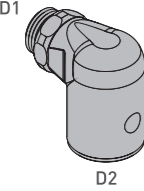

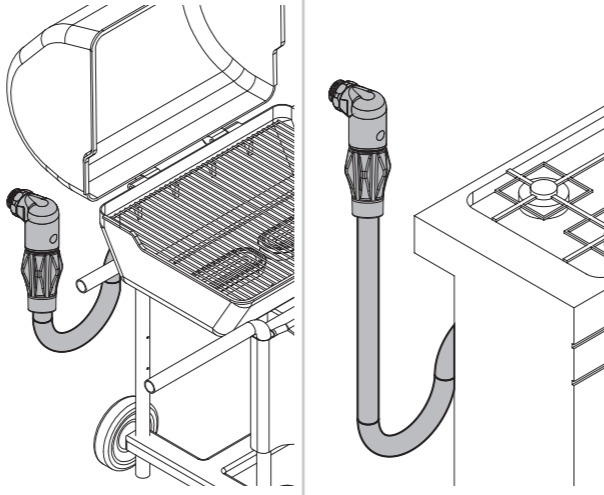
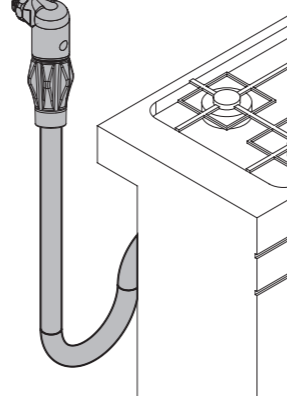
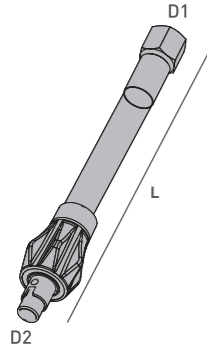
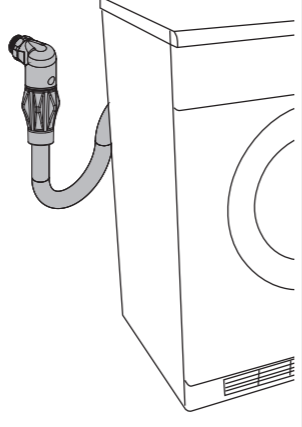
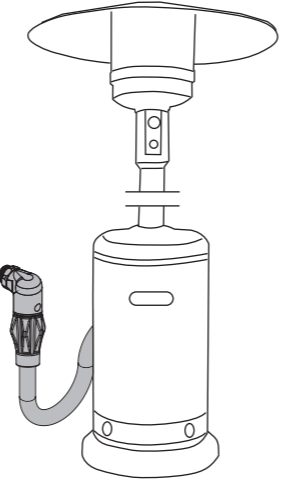


Turning the hose handle by 15° clamps it to the valve. In this position, the valve remains closed.

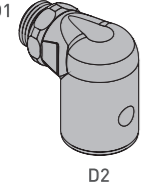

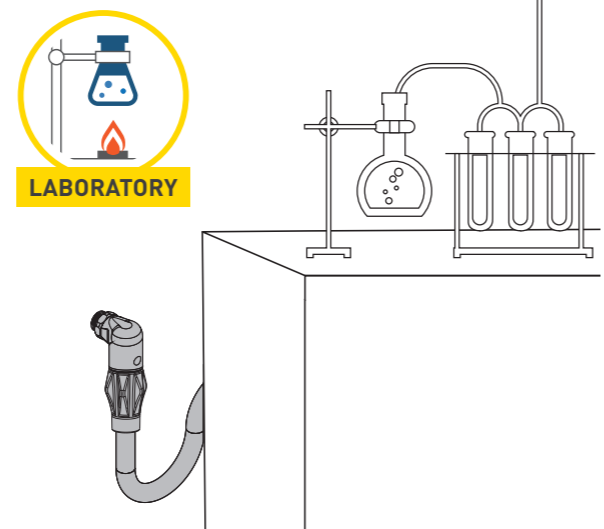


Turning the hose handle further opens the gas flow. The hose cannot be disconnected with the valve open.

**R4** PRODUCT RANGE

R4					APPLICATION	
 <p>D1 D2</p>	DN		D1 EN 10226-1	D2		
	12		•	R1/2"		
	12		R1/2"	DIN 3383-1		
 <p>D1 D2 L</p>	L		D1 EN 10226-1	D2		
	500		Rp1/2"	DIN 3383-1		
	750		Rp1/2"	DIN 3383-1		
	1000		Rp1/2"	DIN 3383-1		
	1250		Rp1/2"	DIN 3383-1		
	1500		Rp1/2"	DIN 3383-1		
2000		Rp1/2"	DIN 3383-1			

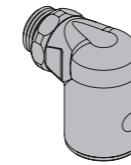
**R4L**

 <p>D1 D2</p>	DN		D1 EN 10226-1	D2	 <p>LABORATORY</p>
	12		•	R1/2"	

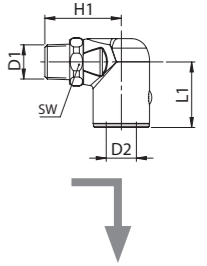
**R4** VALVE WITH QUICK CONNECTION AND CONTROL ON THE HOSE


**DIN-EN15069 90° VALVE**

For EN14800 hoses



- MOP 0.5
- -40 °C +60 °C
- HTB 650 °C for 30' (GT 0.5 EN 1775)

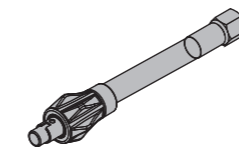


Code	DN		Finish	D1	D2	H1	L1	SW	Pack
R4TAS030C00	12	•	Polished chrome	R1/2"	DIN 3383-1	46	40	27	20
R4030C00	12		Polished chrome	R1/2"	DIN 3383-1	46	40	27	20

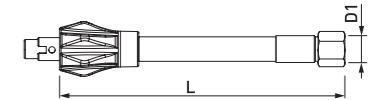
**RTD** CONNECTION HOSE

**RTD HOSE**

DIN-EN14800 hose



- MOP 0.5
- 0 °C + 120 °C

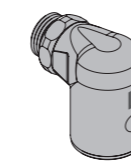


Code	D1	D2	L <sub>mm</sub>	Pack
R4TD0500	Rp1/2"	DIN 3383-1	500	1
R4TD0800	Rp1/2"	DIN 3383-1	750	1
R4TD1000	Rp1/2"	DIN 3383-1	1000	1
R4TD1250	Rp1/2"	DIN 3383-1	1250	1
R4TD1500	Rp1/2"	DIN 3383-1	1500	1
R4TD2000	Rp1/2"	DIN 3383-1	2000	1

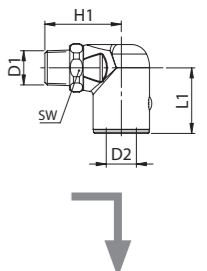
**R4L** DIN 3383-4 LABORATORY VALVE WITH CONTROL HANDLE ON THE HOSE


**DIN 3383-4 90° LABORATORY VALVE**

For DIN 30664-T4 hoses



- MOP 0.5
- -40 °C +60 °C
- HTB 650 °C for 30' (GT 0.5 EN 1775)



Code	DN		Finish	D1	D2	H1	L1	SW	Pack
R421100200	12	•	Polished chrome	R1/2"	DIN 3383-1	46	40	27	5