

ULTRA®-164

FLUSH-MOUNTING TOP ENTRY VALVE



ULTRA

Flush-mounting Top Entry valve with flush accessories



35

164

Flush-mounting Top Entry valve



58

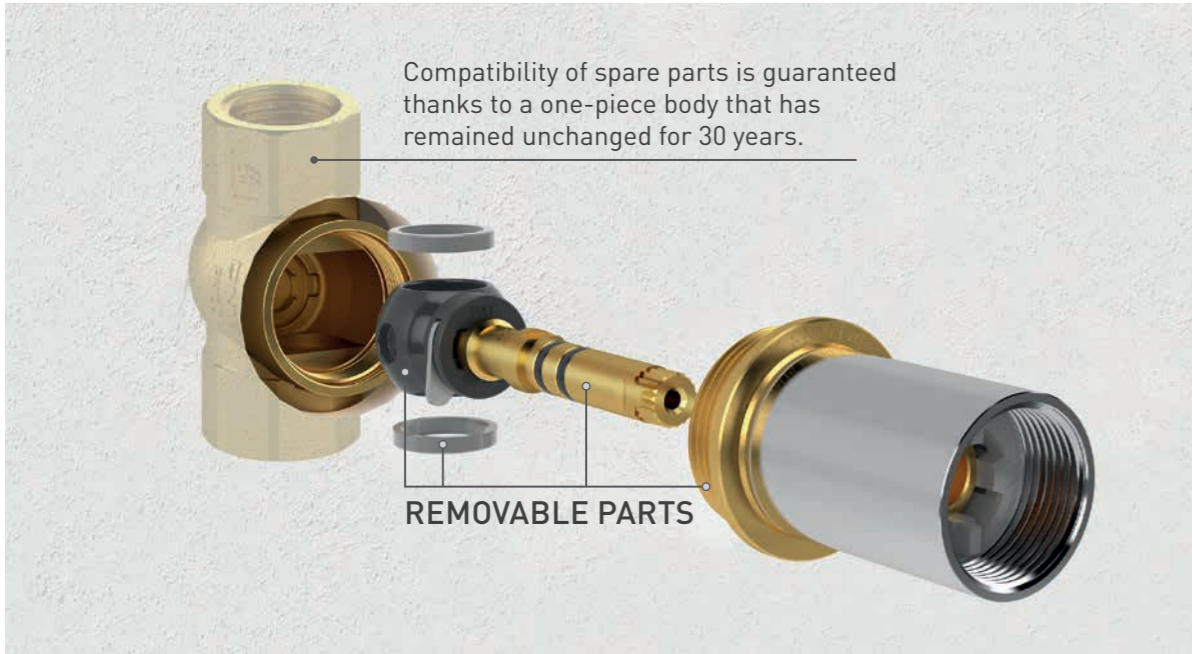




TOP ENTRY



Since 1987, the main feature of all Teco® plumbing products is their removable ball.



Compatibility of spare parts is guaranteed thanks to a one-piece body that has remained unchanged for 30 years.

REMOVABLE PARTS

THE SPARE PARTS FOR THE SHUT-OFF ASSEMBLY ARE ALWAYS COMPATIBLE WITH ALL VALVES MADE

THE SPARE PART THAT RENEWS THE VALVE
It is possible to update valves that have already been installed with new generation Soft Turn shut-off assemblies that use innovative materials and technologies.

1987



CHROME POLYMER

2003

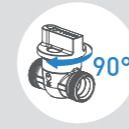


NON-STICK GREEN

2018



ENGINEERED



SOFT TURN MAXIMUM CONTROL

The whole range of Teco products dedicated to conveying water is equipped with the new TECO CONTROL® (patented) shut-off assembly, which ensures a low operating torque that remains constant over time, known as soft turn. The combination of engineered polymer balls and specially designed seals ensures correct operation in the event of emergency or when carrying out maintenance on the system.

BENEFITS

- The ball prevents the formation of deposits that could make it jam
- Resistant to abrasion and impurities (sand)
- 100% compatible with drinking water
- No trapped water (DVGW W570)
- Chlorine resistant



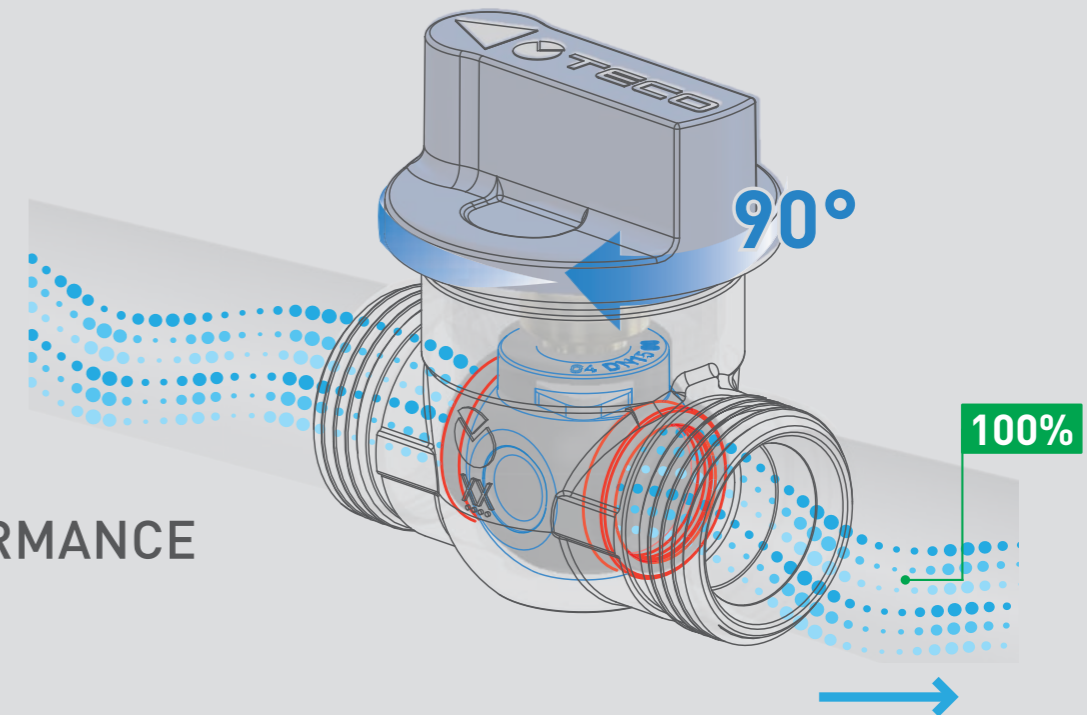
The only ball that is not affected by hard water.



The PPSU (engineered polymer) balls combined with the seals prevent limescale from adhering.



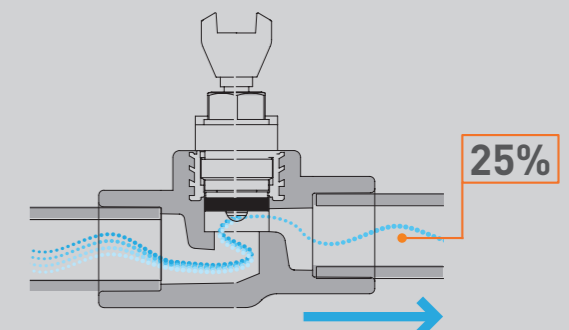
HIGH PERFORMANCE



STANDARDS

The UNI-EN 806-2 standard: Paragraph 6.1: Only install cut-off valves that do not excessively obstruct flow in the system (e.g. ball valves, gate valves).

Common solution with screw valve



INNOVATING SAFETY

30 YEARS

ANNIVERSARY

THE STORY OF TOP ENTRY

The spare part has been the same for 30 years.

TECO was founded in 1987 with the intention of implementing a specific new technology for flush-mounting domestic water system applications.

The SERIES 164 was developed as a result, and the market awarded it ideal flush-

mounting VALVE for its build characteristics. Since the 164 SERIES was created, Teco further developed the flush-mounting concept to create a more complete range that was specifically dedicated chased installation.

FLUSH-MOUNTING COCK

1987

1995

2003

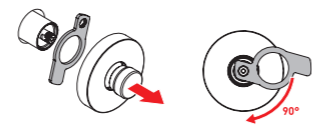
2008

2018

164



Accessories: the accessories are redesigned with a more modern design.



Design: accessory with neutro rosette and hidden operating key.



Design: further updates to the accessory designs.



Duplex: version with integrated dual valve.



ULTRA Flush Accessories: an innovative update to the valve with flush accessories.



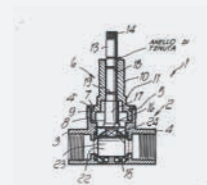
Production: TECO start manufacturing the 164 cock.



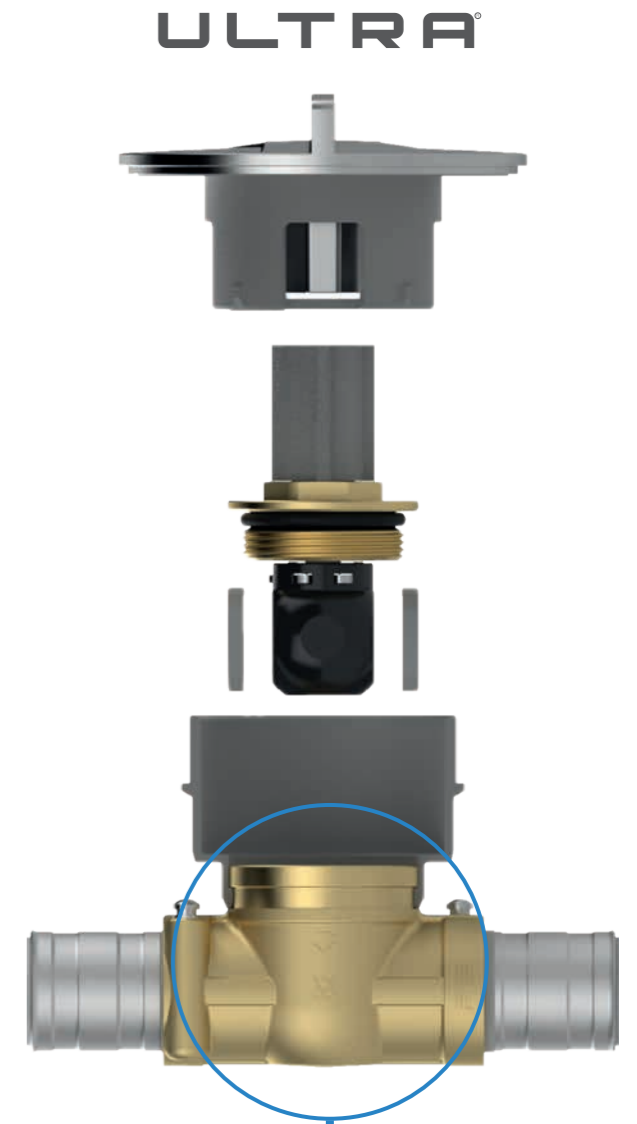
Green ball: continuous product improvement leads Teco to introduce the non-stick ball coating.



Soft Turn: engineered polymer ball and special seats to guarantee soft operation over time.



Patent: the TOP-ENTRY 1987 is created, with the patented TECO CONTROL.



1987

THE SHUT-OFF BODY DESIGN HAS REMAINED

UNCHANGED FOR 30 YEARS.

TODAY

ULTRA®



THE FUTURE OF FLUSH MOUNTING FOR OVER 30 YEARS



PRIZE-WINNING PRODUCT
Percorso
Efficienza Innovazione



FLUSH-MOUNTING
COCK



HIGH PERFORMANCE

The TECO solution with effective flow and installation in accordance with the EN 806-2 standard. (see page 37)



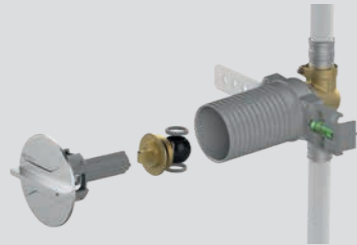
T-BOX

The solution for precise and convenient installation.



H-PLUS VERSION

For installation with greater depth.



FLUSH WITH THE WALL

The control elements are designed to be flush with the wall to minimise protrusion and maximise the look.



ACCESSORIES

An innovative design with various finishes.



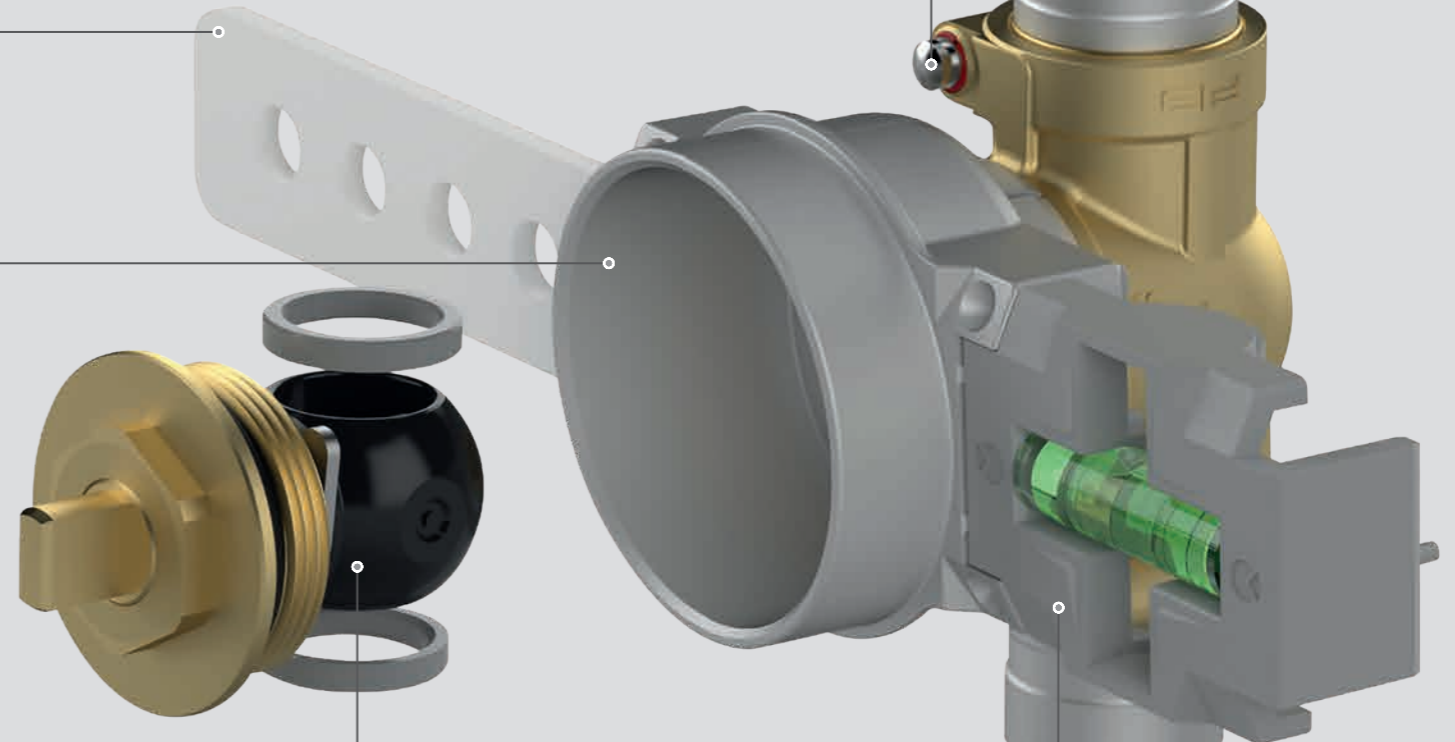
CERTIFIED

Installations for drinking water must be made to the highest standards to prevent trapping water, which could promote the development of microbe colonies (e.g. legionella). **ULTRA** valves were developed with build characteristics that prevent water from being trapped (DVGW W570).



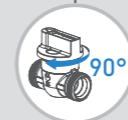
FASTEC®

The FASTEC® connection system is fast, safe, space-saving and maintenance free. The wide range of FASTEC® STORE fittings makes installation simple and flexible. (see page 32)



TOP-ENTRY

With the Top Entry system, the ball is fully removable and spare parts have been available for more than 30 years. (see page 36)



SOFT TURN

Shut-off valve, 90° closure with anti-jamming engineered polymer ball. (see page 37)

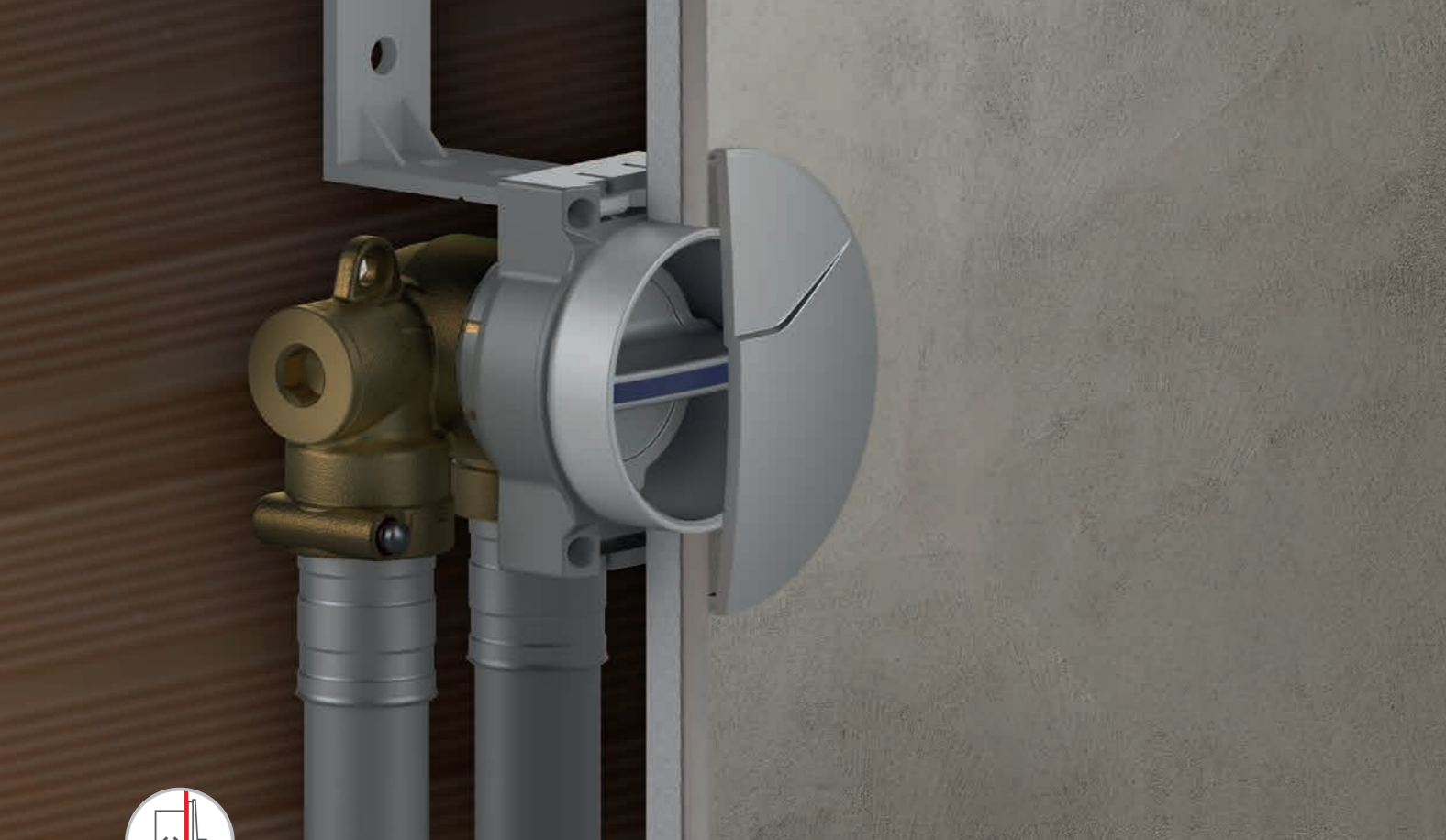


LINK

Easy to configure several ULTRA valves together. (see page 44)

CERTIFICATIONS AND TECHNICAL SPECIFICATIONS

Reference Standard for Metal Materials	DIN EN 13828 DVGW W570-1
Working pressure	PN10 (10 bar)
Working temperature	0 °C + 95°C



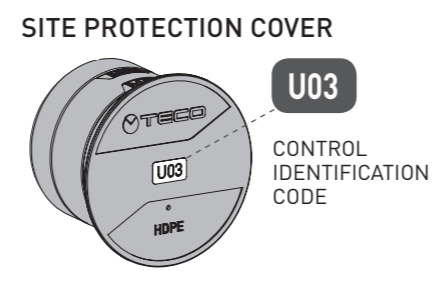
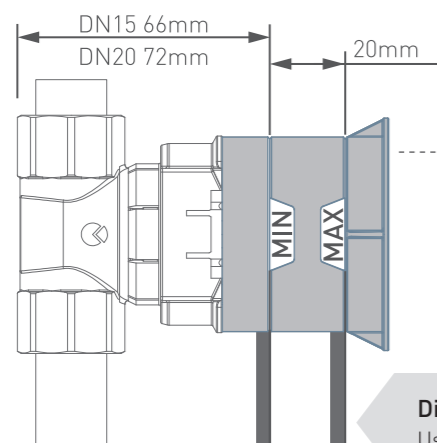
T-BOX

BENEFITS

Ultra has an adjustable BOX that offers 2 levels of adjustment:

- using the adjustable fixing brackets;
- using the depth adjustment on the accessory.

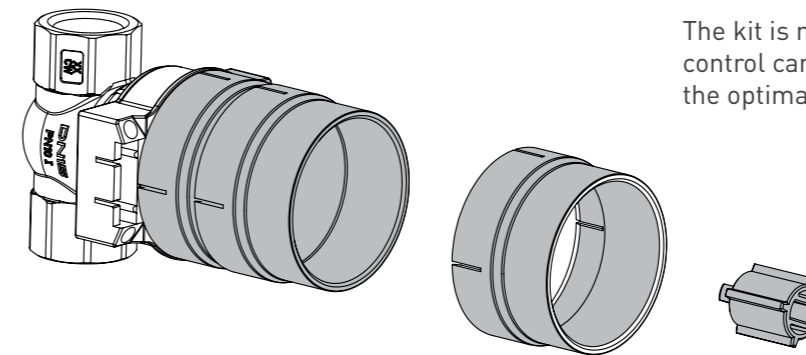
This makes it possible to find the correct cock position.



Distance to finished wall
Use the extension for greater distances.

Distance to Plaster
Minimum cladding thickness.

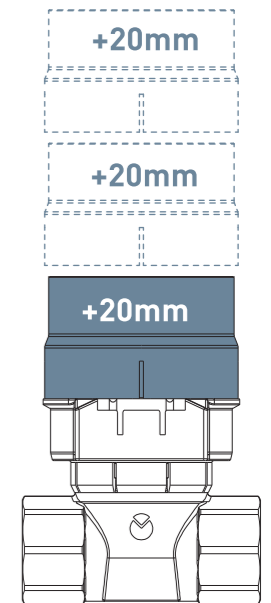
MODULAR EXTENSION KIT



The extension kit is used whenever it is necessary to extend the operating control of the shut-off cock [+20 mm].

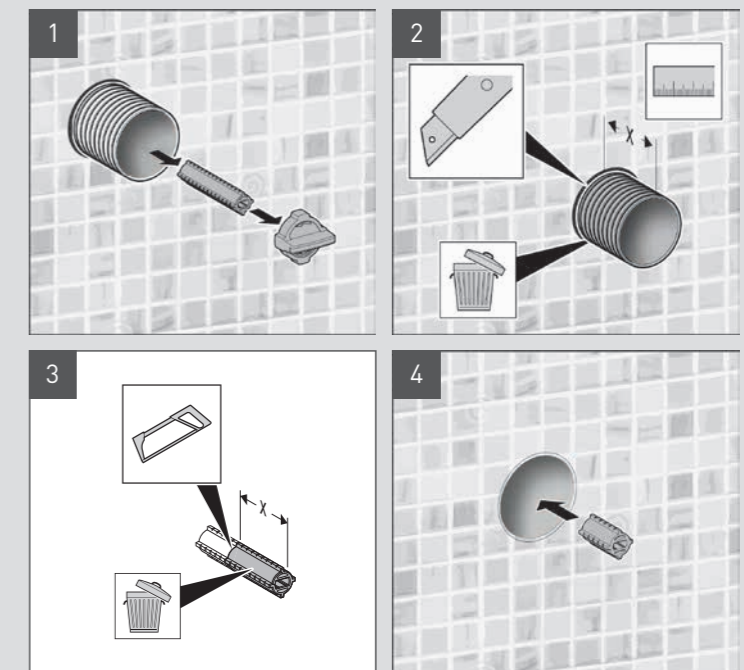
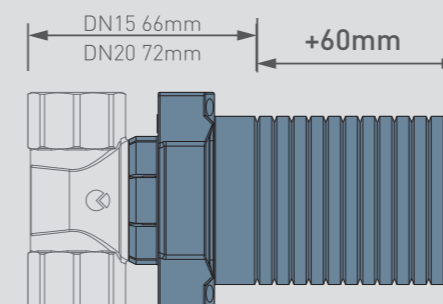
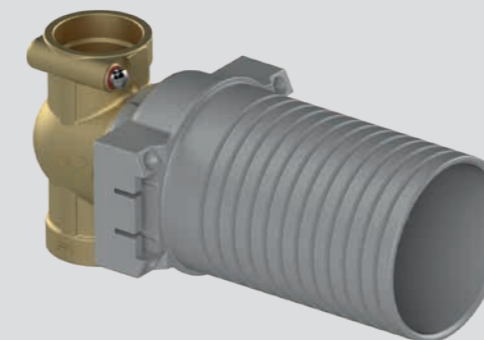
The kit is modular, so the cock control can be extended to the optimal position.

20MM EXTENSION KIT
CODE KA00U40003



H-PLUS VERSION INSTALLATION

If the cock has to be installed in walls with a thicker cladding, the H-Plus version offers a control that is 60mm longer than the standard version.



i ONCE THE COCK IS INSTALLED, YOU CAN CUT THE BOX AND THE CONTROL PIN TO REACH THE CORRECT DEPTH

i The H-Plus version uses the same accessories and spare parts as the standard version
The H-Plus version is normally used in GERMANY, AUSTRIA, SWITZERLAND and ARAB COUNTRIES

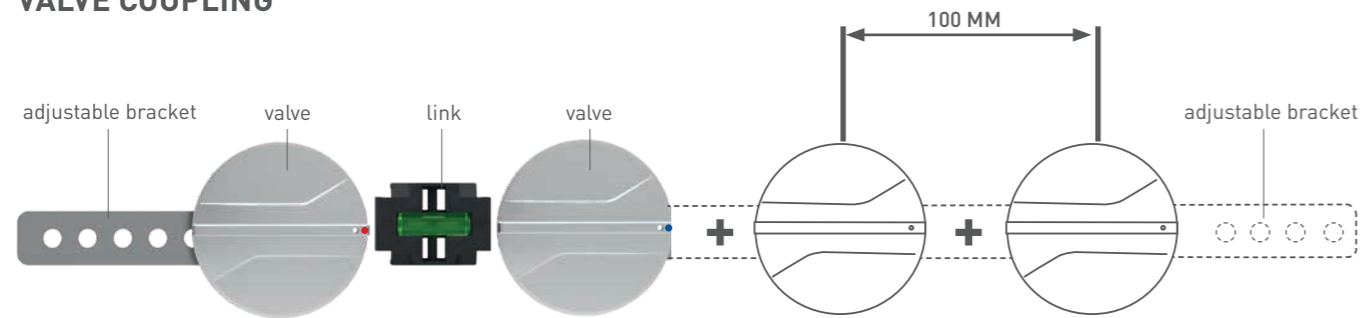


LINK

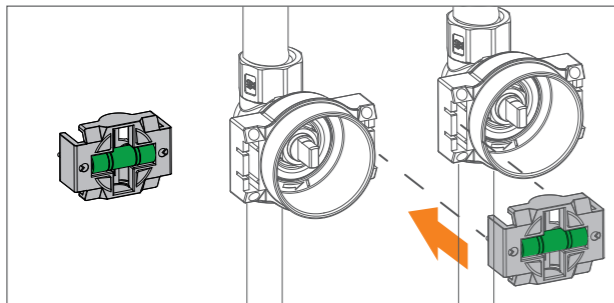
ASSEMBLY KIT
WITH ADJUSTABLE LEVEL
FOR TWO OR MORE COCKS



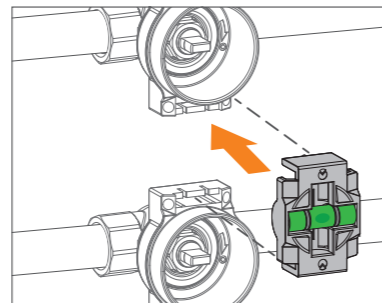
VALVE COUPLING



HORIZONTAL INSTALLATION



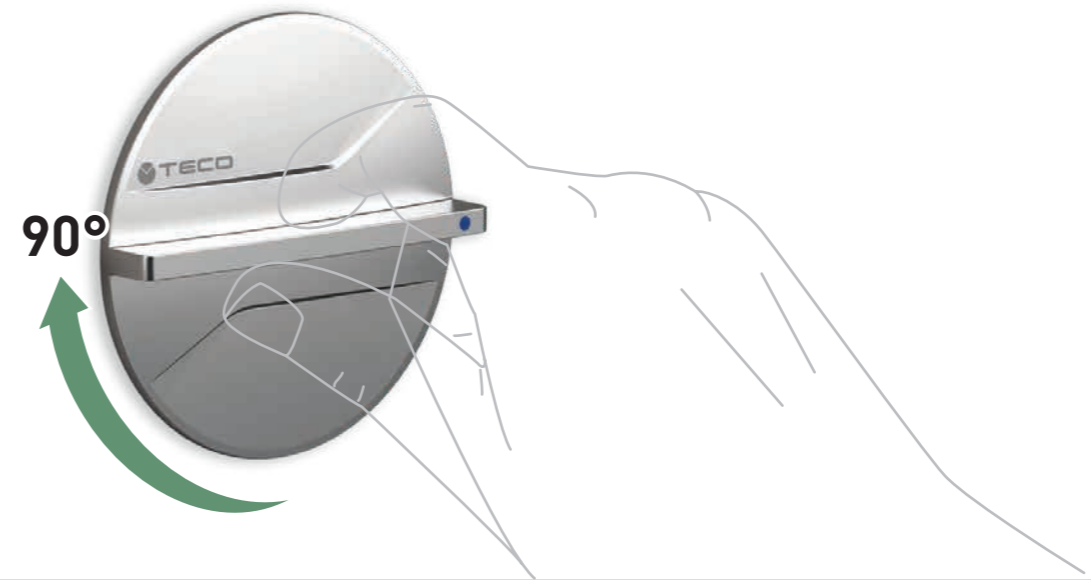
VERTICAL INSTALLATION



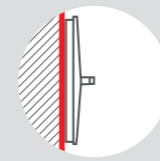


DESIGN ULTRA

EXTERNAL CONTROL

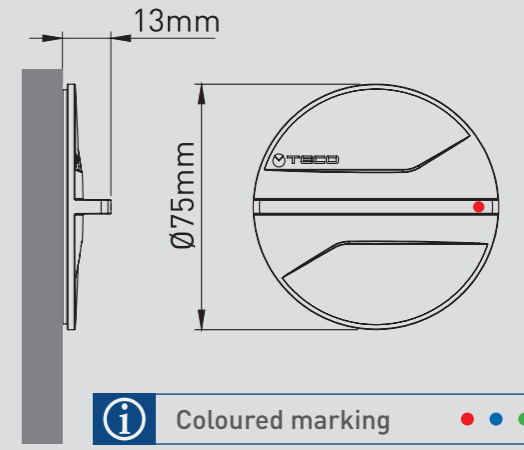


FLUSH-MOUNTING
COCK



ULTRA "FLUSH"

The Ultra control elements are designed to be flush with the wall to minimise protrusion and maximise the look.



FINISHES

U03



WHITE



POLISHED CHROME



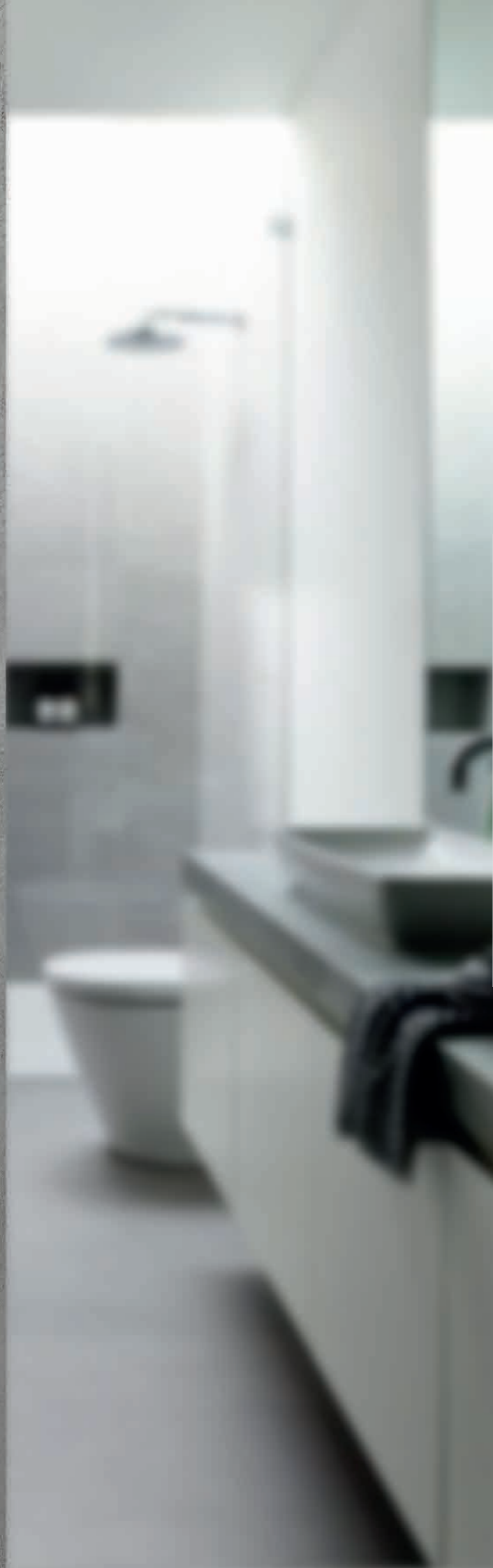
SILVER



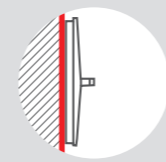
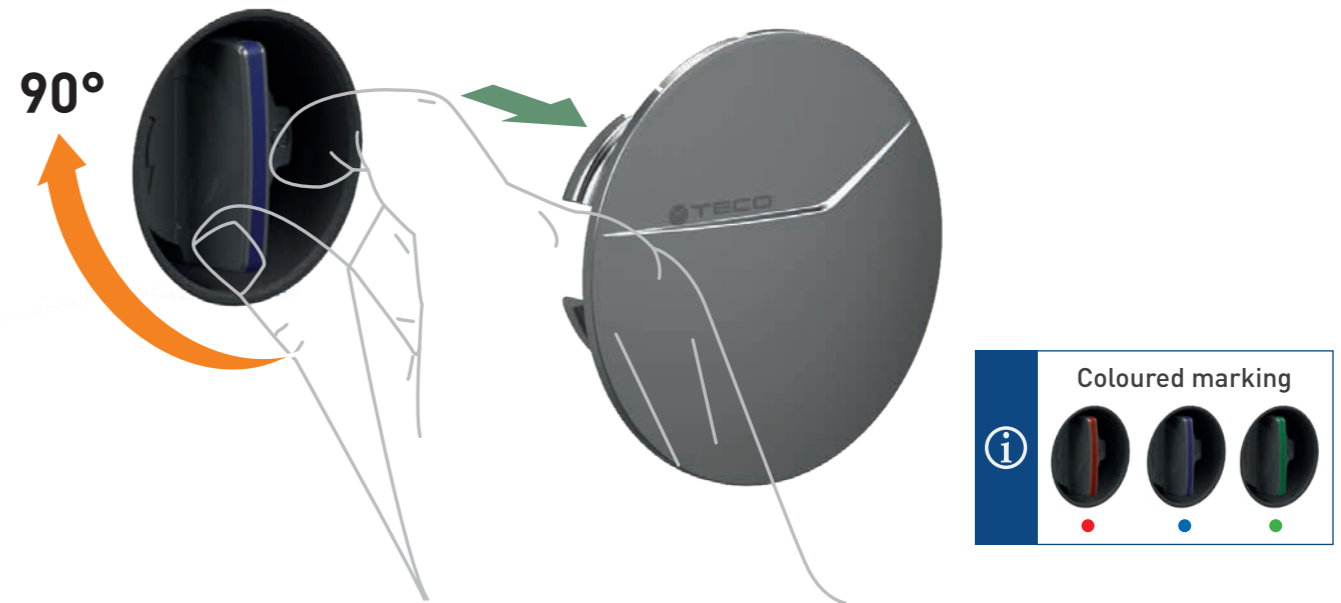
BLACK
SOFT TOUCH



ULTRA FLUSH-MOUNTING

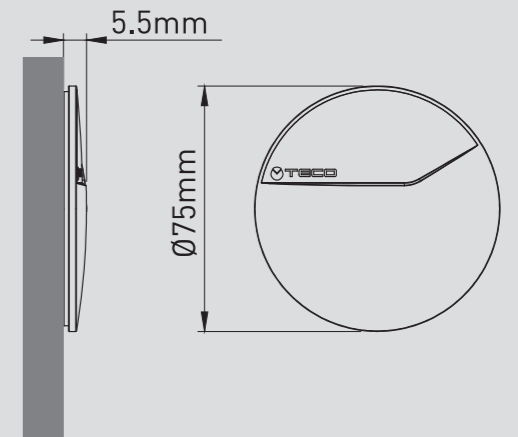


INTERNAL CONTROL



ULTRA "FLUSH"

The Ultra accessory is designed to be flush with the wall to minimise protrusion and maximise the look.



FINISHES

U03



WHITE



POLISHED CHROME



SILVER

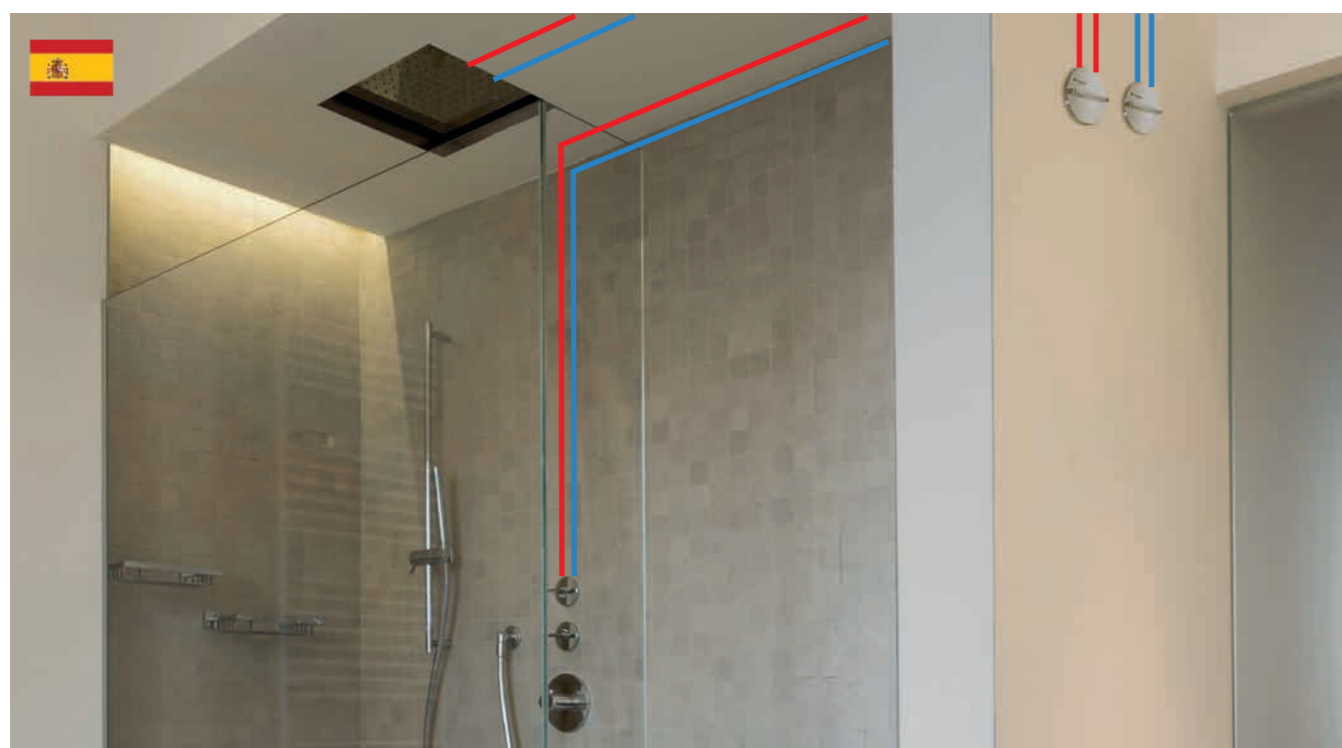


BLACK
SOFT TOUCH







APPLICATIONS AND FUNCTIONS



- MAIN SHUT-OFF
- BATHROOM SHUT-OFF ("T" SYSTEM)
- SHOWER SHUT-OFF
- KITCHEN SHUT-OFF
- WASHING MACHINE SHUT-OFF
- GARDEN / BALCONY SHUT-OFF



ULTRA CONFIGURATOR, DEVICES AND ACCESSORIES

DEVICES	DN	CODE	CONNECTIONS				CONTROL ACCESSORIES	
			1/2	3/4	FASTEC			
					F13	F14		
ULTRA STRAIGHT VERSION 	15	U4P3911100	•				U03 EXTERNAL CONTROL  WHITE UPLU0302600 POLISHED CHROME UPLU0302M00 SILVER UPLU0302800 BLACK SOFT TOUCH UPLU0302A00	
	20	U4P4911100		•				
	15	F U4P3971100			•			
	20	F U4P4971100				•		
ULTRA "U" VERSION 	15	F U4P3972100			•			
	20	F U4P4972100				•		
ULTRA H-PLUS STRAIGHT VERSION 	15	U4P3911H00	•					U03 INTERNAL CONTROL  WHITE UPLU0301600 POLISHED CHROME UPLU0301M00 SILVER UPLU0301800 BLACK SOFT TOUCH UPLU0301A00
	20	U4P4911H00		•				
	15	F U4P3971H00			•			
	20	F U4P4971H00				•		
ULTRA H-PLUS "U" VERSION 	15	F U4P3972H00			•			
	20	F U4P4972H00				•		

FASTEC
STORE

THE SHUT-OFF DEVICES USE
FASTEC® STORE FITTINGS

SEE PAGE 32

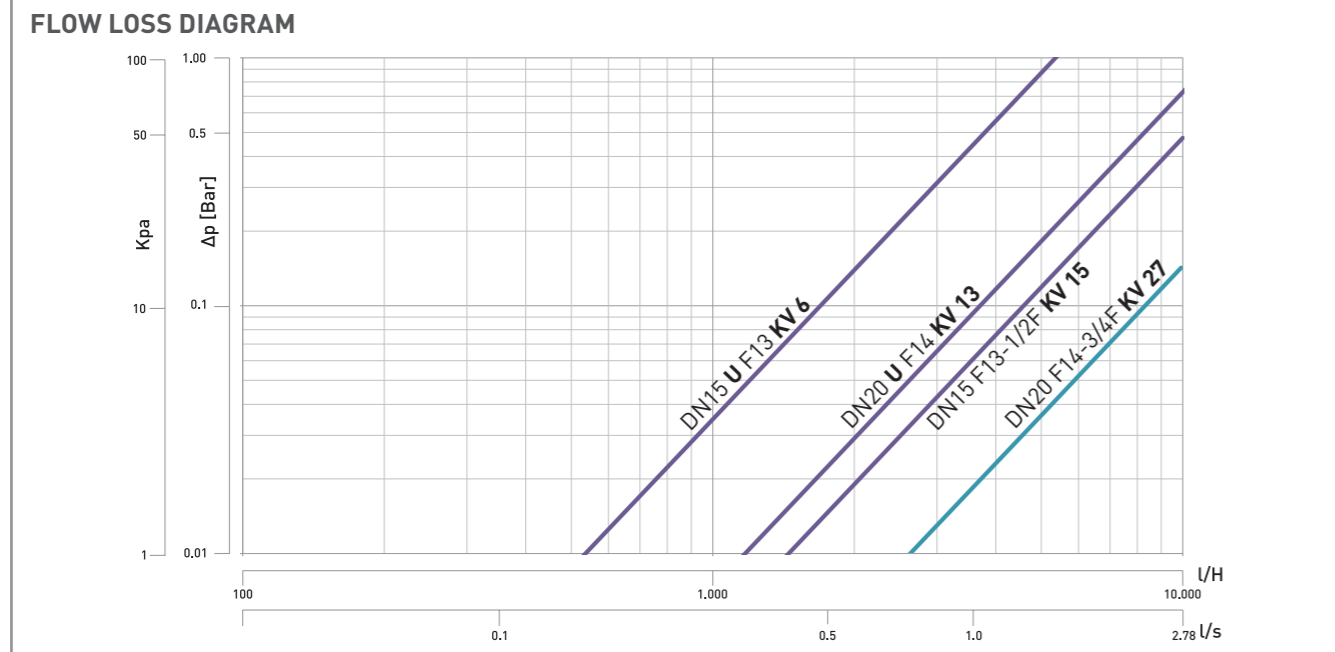
ULTRA

FLUSH SHUT-OFF VALVE

- ULTRA is a compact shut-off cock
- Full flow, in accordance with the EN 806-2 standard
- Perfect flush mounting with T-Box adjustable depth
- Control accessories with minimum protrusion flush with the wall
- TOP-ENTRY removable shut-off valves with Soft Turn anti-jamming ball
- The FASTEC® connection is convenient and safe to work with



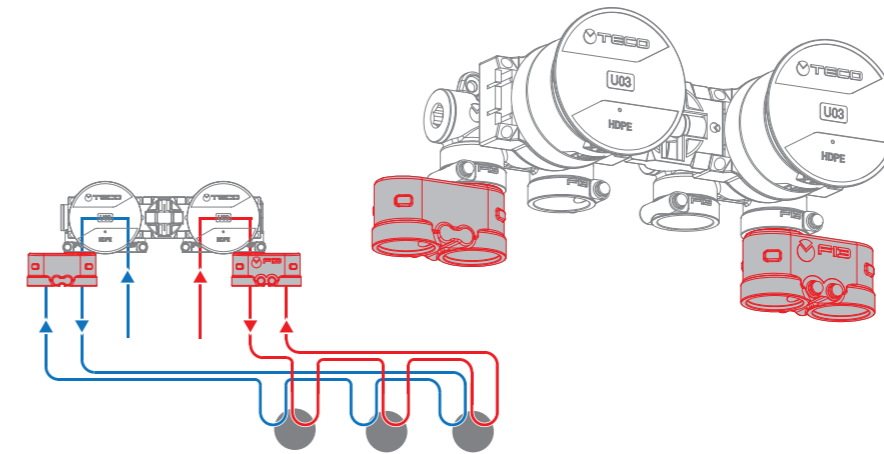
SPECIFICATIONS		TECHNOLOGIES		DESIGN FEATURES	
Material	Body	Brass CW617		HIGH PERFORMANCE SOFT TURN TOP-ENTRY	CERTIFIED PRODUCT INNOVATIVE DESIGN
	Support	Nylon PA6			
	Balls	Engineered polymer			
Fittings	FASTEC®-Threaded F.		FASTEC® T-BOX	LINK H-PLUS	
Working pressure	PN10 (10 bar)				
Temperature	0°C + 95 °C				
Standard and certification	DIN EN 13828 (KTW-W270) DVGW W570-1				



FASTEC®

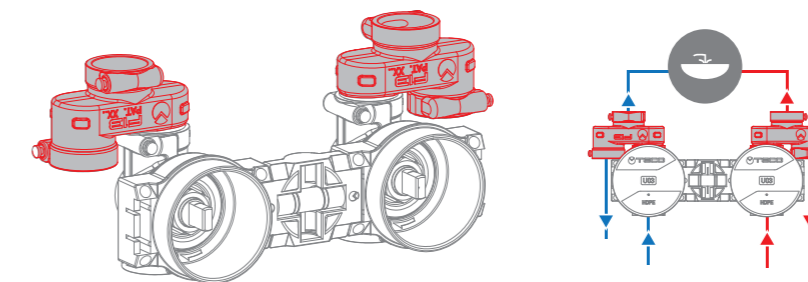


TWIN 1 FITTING



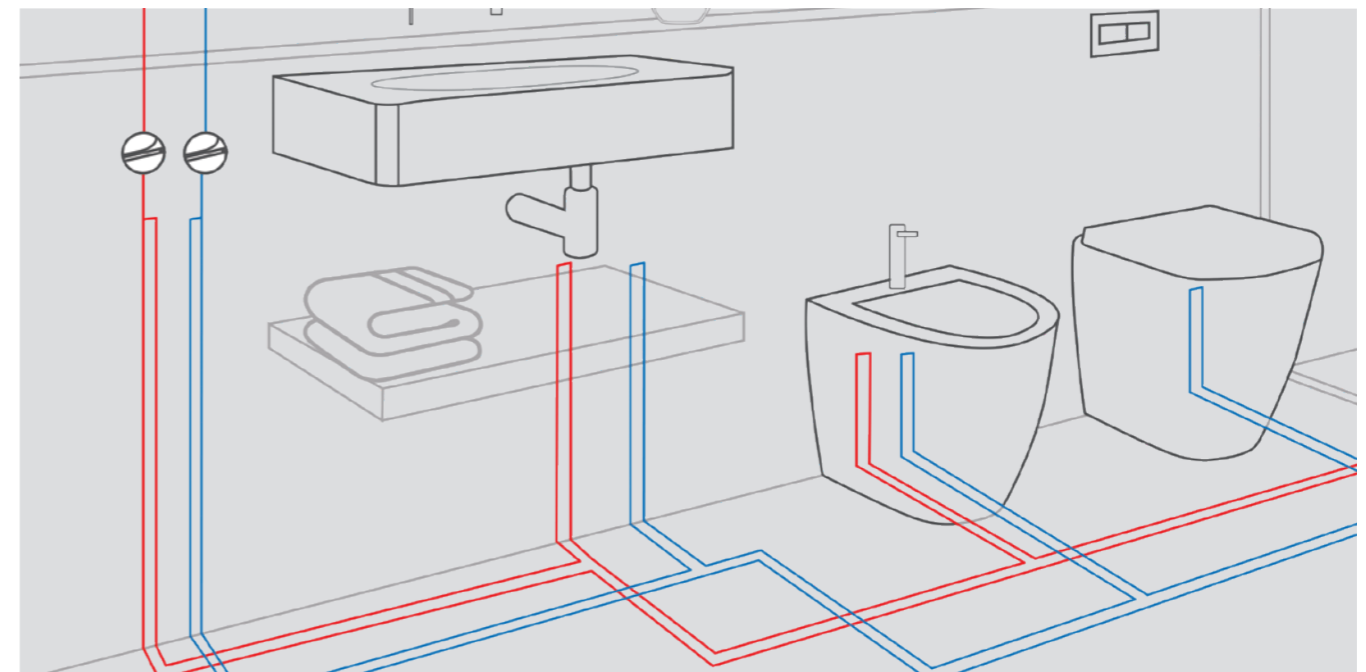
CODE KA00F10001

TWIN 2 FITTING



CODE KA00F10002

Fastec® Twin fittings make it possible to increase the number of connections. In this way you can simplify complex system solutions.



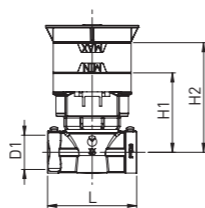
STRAIGHT VERSION



- PN10 (10 bar)
- 0 °C + 95 °C

INCLUDES: fixing brackets, site protection cover

DOES NOT INCLUDE: flush accessories and fittings



Code	DN	D1	H1	H2	L	Pack
U4P3911100	15	Rp1/2"	52.5	84	63	30
F U4P3971100	15	F13	52.5	84	59	30
U4P4911100	20	Rp3/4"	55.5	87	73	20
F U4P4971100	20	F14	55.5	87	72	20

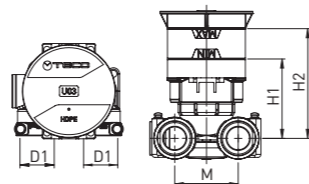
"U" VERSION



- PN10 (10 bar)
- 0 °C + 95 °C

INCLUDES: fixing brackets, site protection cover

DOES NOT INCLUDE: flush accessories and fittings



Code	DN	D1	M	H1	H2	Pack
F U4P3972100	15	F13	42	52.5	84	10
F U4P4972100	20	F14	52.5	55.5	87	10



THE WHOLE RANGE OF FASTEC® FITTINGS IS DESCRIBED ON PAGE 32

ULTRA: Flush shut-off valve

Top Entry shut-off valve with removable ball and full flow that complies with the DIN EN 13828 standard. Engineered polymer ball and Soft Turn anti-jamming seals. Complete with installation box, adjustment brackets and site protection plug. Internal or external controls that are flush with the wall, with 90 degree operation. Available in four different finishes. Temperature: 0 °C + 95 °C. Working pressure 10 bar

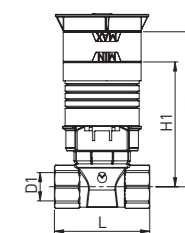
STRAIGHT H-PLUS VERSION



- PN10 (10 bar)
- 0 °C + 95 °C

INCLUDES: fixing brackets, site protection cover

DOES NOT INCLUDE: flush accessories and fittings



Code	DN	D1	H1	H2	L	Pack
U4P3911H00	15	Rp1/2"	82.5	102.5	63	10
F U4P3971H00	15	F13	82.5	102.5	59	10
U4P4911H00	20	Rp3/4"	115	135	73	10
F U4P4971H00	20	F14	115	135	72	10

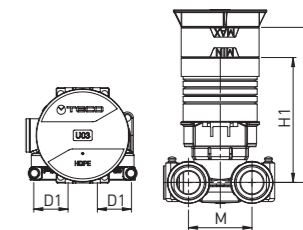
"U" H-PLUS VERSION



- PN10 (10 bar)
- 0 °C + 95 °C

INCLUDES: fixing brackets, site protection cover

DOES NOT INCLUDE: flush accessories and fittings



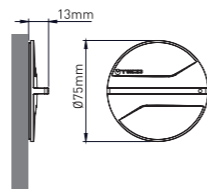
Code	DN	D1	M	H1	H2	Pack
F U4P3972H00	15	F13	42	52.5	84	10
F U4P4972H00	20	F14	52.5	115	135	10



THE WHOLE RANGE OF FASTEC® FITTINGS IS DESCRIBED ON PAGE 32

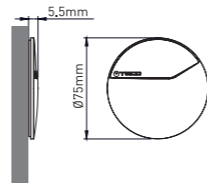
ULTRA ULTRA CONTROL ACCESSORIES

B03 EXTERNAL FLUSH CONTROL



Code	Colour	Pack
UPLU0302600	White	10
UPLU0302M00	Polished Chrome	10
UPLU0302A00	Black	4
UPLU0302800	Silver	4

U03 INTERNAL FLUSH CONTROL



Code	Colour	Pack
UPLU0301600	White	10
UPLU0301M00	Polished Chrome	10
UPLU0301A00	Black	4
UPLU0301800	Silver	4

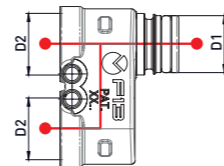
ULTRA FASTEC ACCESSORIES



TWIN 1 FITTING

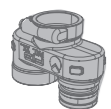


FASTEC® TWIN fitting

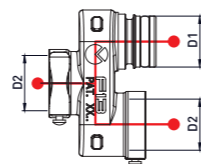


Code	D1	D2	Pack
F KA00F10001	F13M	2xF13F	10

TWIN 2 FITTING



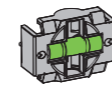
FASTEC® TWIN T fitting



Code	D1	D2	Pack
F KA00F10002	F13M	2xF13F	10

ULTRA ACCESSORIES

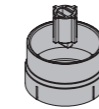
LINK WITH ADJUSTABLE LEVEL



SEE PAGE 44

Code	Pack
KA00U40004	10

MODULAR EXTENSION KIT

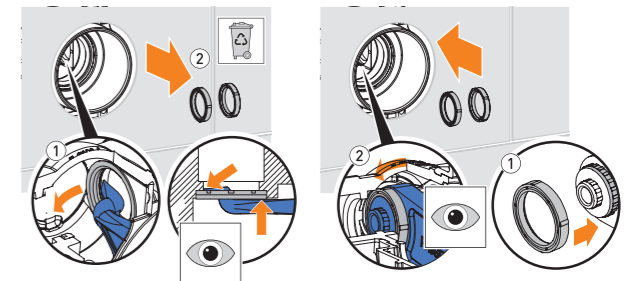
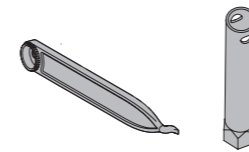


+ 20mm

SEE PAGE 43

Code	DN	D1	M	H1	H2	Pack
KA00U40003	15	F13	42	52.5	84	10

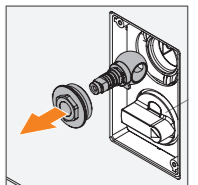
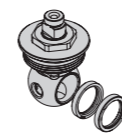
SEAL MAINTENANCE TOOL KIT



Code	Pack
KAI4990000	5

ULTRA SPARE PARTS

TECO CONTROL



Code	DN	Pack
KRTC415000	15	6
KRTC420000	20	4

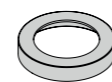
i Caution: Ultra accessories are not compatible with 164 accessories

SEAL KIT



Code	DN	Pack
KRSEI415000	15	6
KRSEI420000	20	4

ACCESSORY MAINTENANCE FRAME



i THE MAINTENANCE FACEPLATE IS USED WHEN THE BOX IS INSTALLED INCORRECTLY AND PROTRUDES FROM THE WALL.

Code	D1	H	Finish	Pack
KRPLU408000	72	13	Satin chrome	5