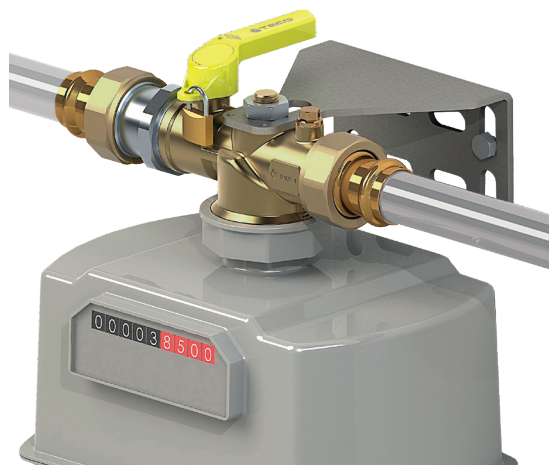


G6

METER VALVE FOR SINGLE-PIPE GAS METERS

Data sheet
MCTW002.01 - 12/2021



G6 valves are specifically for single-pipe gas meters that are EN331 DVGW certified. The range includes a straight version with meter bracket or a 90° version.

The connections are by means of threaded shank and swivel nut, G-Press press-fit with swivel nut, or direct connections on the valve body. Available with GST® and FIREBAG® safety devices.

The lever has a slot for padlocking.

Pressure fitting built into the valve body.



| Material | | | | | | |
|-------------------------------------|-------------------------------------|--------------|-------|-------------------|-----------|--------------------------------|
| Body | Connections | Balls | Seats | Meter bracket | Lever | Safety devices |
| Press-Fitting version: Brass CW602N | Press-Fitting version: Brass CW602N | Brass CW617N | PTFE | Zink Plated Steel | Aluminium | FIREBAG® GST® |
| Threaded version: Brass CW617N | Threaded version: Brass CW617N | | | | | |

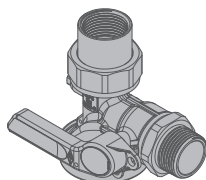
TECHNICAL SPECIFICATIONS

| | Reference standards | Working pressure | Working temperature | High temperature resistance | Application |
|---------------------|---|------------------|---------------------|-----------------------------|--|
| G6 | DIN EN 331 DVGW VP308 DIN 3376-2 DVGW G 5614 (version G-Press) | MOP 5 (5 bar) | | | |
| G6T FIREBAG® | DIN EN 331 DVGW VP308 DIN 3586 DIN 3376-2 DVGW G 5614 (version G-Press) | MOP 5 (5 bar) | -20 °C + 60 °C | HTB 650 °C per 30' | For all types of gas as specified in EN 437 and DVGW G260/1 (Methane, Butane, Propane) |
| G6G GST® | DIN EN 331 DVGW VP308 DVGW VP305-1 DIN 3376-2 DVGW G 5614 (version G-Press) | 15 - 100 mbar | | | |

VERSIONS AND CODES

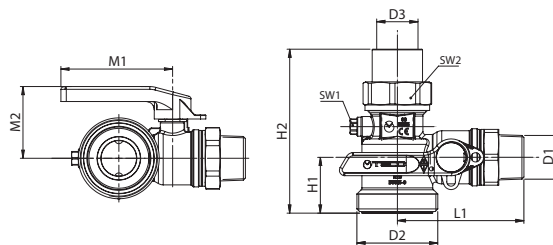
90° valve

Inlet: R1" thread - Outlet: Rp1" fitting



Padlockable lever
G1/8" pressure fitting

- HTB 650 °C for 30' (DIN EN331 C0.1)
- HTB 650 °C for 30' (DIN EN331 C5) - TAE



| Code | DN | FIREBAG® TAE | GST® GS m³/h | D1 EN 10226-1 | D2 | D3 EN 10226-1 | L1 | H1 | H2 | M1 | M2 | SW1 | SW2 | Pack. |
|-------------------|----|-----------------|-----------------------|------------------|-----|------------------|----|----|-----|----|----|-----|-----|-------|
| G61315L100 | 25 | | | R1" | G2" | Rp1" | 83 | 41 | 111 | 82 | 53 | 10 | 48 | 10 |
| G62315L100 | 25 | • | | R1" | G2" | Rp1" | 93 | 41 | 111 | 82 | 53 | 10 | 48 | 10 |
| G63315L200 | 25 | | V _{GAS} =2.5 | R1" | G2" | Rp1" | 91 | 41 | 111 | 82 | 53 | 10 | 48 | 10 |
| G63315L300 | 25 | | V _{GAS} =4.0 | R1" | G2" | Rp1" | 91 | 41 | 111 | 82 | 53 | 10 | 48 | 10 |
| G63315L400 | 25 | | V _{GAS} =6.0 | R1" | G2" | Rp1" | 91 | 41 | 111 | 82 | 53 | 10 | 48 | 10 |

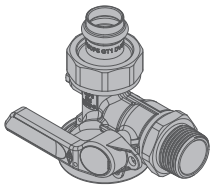
TECO Srl
Via Sandro Pertini, 39/41 - Zona industriale Noccole, 25050 Provaglio d'Iseo (BS)

+39 030 6850510 | +39 030 6850555
info@tecosrl.it | www.tecosrl.it



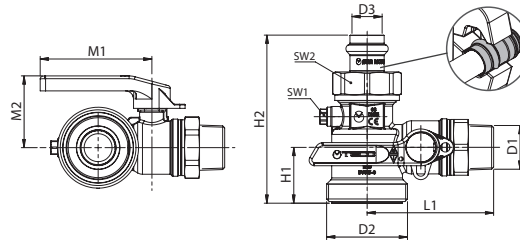
90° valve

Inlet: R1" thread - Outlet: crimp fitting, diam. 22mm



Padlockable lever
G1/8" pressure fitting

- HTB 650 °C for 30' (DIN EN331 C0.1)
- HTB 650 °C for 30' (DIN EN331 C5) - TAE

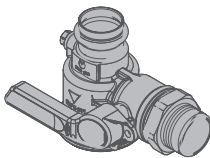


G-PRESS
-V- and -M-
type crimping tool

| Code | DN | FIREBAG [®] TAE | GST [®] GS m ³ /h | D1 EN 10226-1 | D2 | D3 | L1 | H1 | H2 | M1 | M2 | SW1 | SW2 | Pack. |
|------------|----|-----------------------------|--|------------------|-----|-----|----|----|-----|----|----|-----|-----|-------|
| G6131DL100 | 25 | | | R1" | G2" | Ø22 | 83 | 41 | 114 | 82 | 53 | 10 | 48 | 10 |
| G6231DL100 | 25 | • | | R1" | G2" | Ø22 | 93 | 41 | 114 | 82 | 53 | 10 | 48 | 10 |
| G6331DL200 | 25 | | V _{GAS} =2.5 | R1" | G2" | Ø22 | 91 | 41 | 114 | 82 | 53 | 10 | 48 | 10 |
| G6331DL300 | 25 | | V _{GAS} =4.0 | R1" | G2" | Ø22 | 91 | 41 | 114 | 82 | 53 | 10 | 48 | 10 |
| G6331DL400 | 25 | | V _{GAS} =6.0 | R1" | G2" | Ø22 | 91 | 41 | 114 | 82 | 53 | 10 | 48 | 10 |

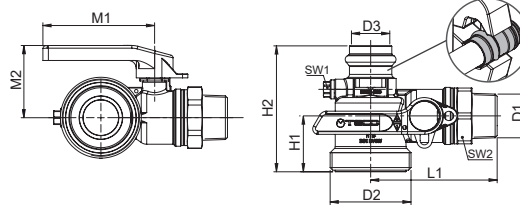
90° single-piece valve

Inlet: R1" thread - Outlet: crimp, diam. 28mm



Padlockable lever
G1/8" pressure fitting

- HTB 650 °C for 30' (DIN EN331 C0.1)
- HTB 650 °C for 30' (DIN EN331 C5) - TAE

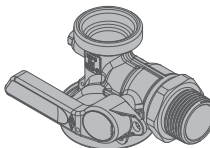


G-PRESS
-V- and -M-
type crimping tool

| Code | DN | FIREBAG [®] TAE | GST [®] GS m ³ /h | D1 EN 10226-1 | D2 | D3 | L1 | H1 | H2 | M1 | M2 | SW1 | SW2 | Pack |
|------------|----|-----------------------------|--|------------------|-----|-----|----|----|----|----|----|-----|-----|------|
| G6131SL100 | 25 | | | R1" | G2" | Ø28 | 93 | 41 | 93 | 82 | 53 | 10 | 41 | 10 |
| G6231SL100 | 25 | • | | R1" | G2" | Ø28 | 93 | 41 | 93 | 82 | 53 | 10 | 41 | 10 |
| G6331SL200 | 25 | | V _{GAS} =2.5 | R1" | G2" | Ø28 | 93 | 41 | 93 | 82 | 53 | 10 | 41 | 10 |
| G6331SL300 | 25 | | V _{GAS} =4.0 | R1" | G2" | Ø28 | 93 | 41 | 93 | 82 | 53 | 10 | 41 | 10 |
| G6331SL400 | 25 | | V _{GAS} =6.0 | R1" | G2" | Ø28 | 93 | 41 | 93 | 82 | 53 | 10 | 41 | 10 |

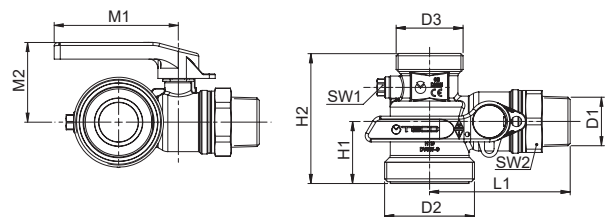
90° threaded valve with connection for din 3436 fittings

Inlet: R1" thread - Outlet: G1" 3/8 connection



Padlockable lever
G1/8" pressure fitting

- HTB 650 °C for 30' (DIN EN331 C0.1)
- HTB 650 °C for 30' (DIN EN331 C5) - TAE



| Code | DN | FIREBAG [®] TAE | GST [®] GS m ³ /h | D1 EN 10226-1 | D2 | D3 | L1 | H1 | H2 | M1 | M2 | SW1 | SW2 | Pack |
|------------|----|-----------------------------|--|------------------|-----|---------|----|----|----|----|----|-----|-----|------|
| G61316L100 | 25 | | | R1" | G2" | G1" 3/8 | 83 | 41 | 77 | 82 | 53 | 10 | 41 | 10 |
| G62316L100 | 25 | • | | R1" | G2" | G1" 3/8 | 93 | 41 | 77 | 82 | 53 | 10 | 41 | 10 |
| G63316L200 | 25 | | V _{GAS} =2.5 | R1" | G2" | G1" 3/8 | 91 | 41 | 77 | 82 | 53 | 10 | 41 | 10 |
| G63316L300 | 25 | | V _{GAS} =4.0 | R1" | G2" | G1" 3/8 | 91 | 41 | 77 | 82 | 53 | 10 | 41 | 10 |
| G63316L400 | 25 | | V _{GAS} =6.0 | R1" | G2" | G1" 3/8 | 91 | 41 | 77 | 82 | 53 | 10 | 41 | 10 |

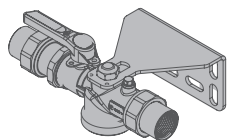
TECO Srl
Via Sandro Pertini, 39/41 - Zona industriale Noccole, 25050 Provaglio d'Iseo (BS)

+39 030 6850510 | +39 030 6850555
info@tecosrl.it | www.tecosrl.it

TECO[®]
INNOVATING SAFETY

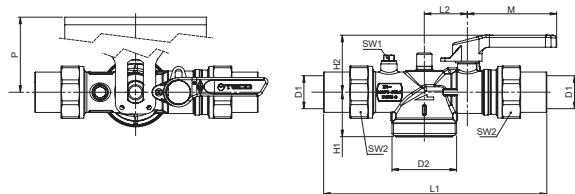
Straight valve

Inlet: Rp1" fitting - Outlet: Rp1" fitting



Padlockable lever
G1/8" pressure fitting
Steel fixing bracket

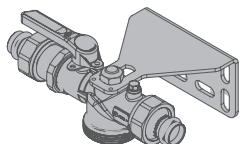
- HTB 650 °C for 30' (DIN EN331 C0.1)
- HTB 650 °C for 30' (DIN EN331 C5) - TAE



| Code | DN | FIREBAG [®] TAE | GST [®] GS m ³ /h | D1 EN 10226-1 | D2 | H1 | H2 | L1 | L2 | M | SW1 | SW2 | P | Pack |
|------------|----|-----------------------------|--|------------------|-----|----|----|-----|----|----|-----|-----|---------|------|
| G61305L100 | 25 | | | Rp1" | G2" | 41 | 52 | 206 | 40 | 82 | 10 | 48 | 100+120 | 5 |
| G62305L100 | 25 | • | | Rp1" | G2" | 41 | 52 | 230 | 40 | 82 | 10 | 48 | 100+120 | 5 |
| G63305L200 | 25 | | V _{GAS} =2.5 | Rp1" | G2" | 41 | 52 | 230 | 40 | 82 | 10 | 48 | 100+120 | 5 |
| G63305L300 | 25 | | V _{GAS} =4.0 | Rp1" | G2" | 41 | 52 | 230 | 40 | 82 | 10 | 48 | 100+120 | 5 |
| G63305L400 | 25 | | V _{GAS} =6.0 | Rp1" | G2" | 41 | 52 | 230 | 40 | 82 | 10 | 48 | 100+120 | 5 |

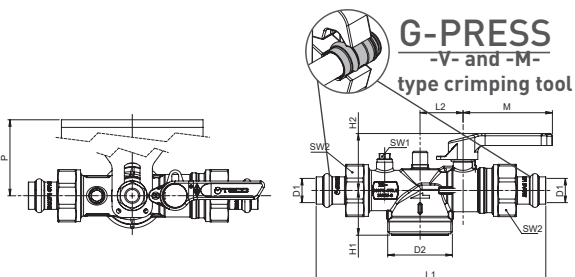
Straight valve

Inlet: crimp fitting, diam. 22 - Outlet: crimp fitting, diam. 22



Padlockable lever
G1/8" pressure fitting
Steel fixing bracket

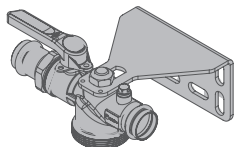
- HTB 650 °C for 30' (DIN EN331 C0.1)
- HTB 650 °C for 30' (DIN EN331 C5) - TAE



| Code | DN | FIREBAG [®] TAE | GST [®] GS m ³ /h | D1 | D2 | H1 | H2 | L1 | L2 | M | SW1 | SW2 | P | Pack |
|------------|----|-----------------------------|--|-----|-----|----|----|-----|----|----|-----|-----|---------|------|
| G6130DL100 | 25 | | | Ø22 | G2" | 41 | 52 | 210 | 40 | 82 | 10 | 48 | 100+120 | 5 |
| G6230DL100 | 25 | • | | Ø22 | G2" | 41 | 52 | 236 | 40 | 82 | 10 | 48 | 100+120 | 5 |
| G6330DL200 | 25 | | V _{GAS} =2.5 | Ø22 | G2" | 41 | 52 | 236 | 40 | 82 | 10 | 48 | 100+120 | 5 |
| G6330DL300 | 25 | | V _{GAS} =4.0 | Ø22 | G2" | 41 | 52 | 236 | 40 | 82 | 10 | 48 | 100+120 | 5 |
| G6330DL400 | 25 | | V _{GAS} =6.0 | Ø22 | G2" | 41 | 52 | 236 | 40 | 82 | 10 | 48 | 100+120 | 5 |

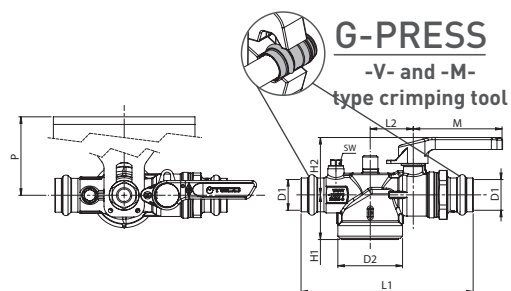
Straight single-piece valve

Inlet: crimp, diam. 28 - Outlet: crimp, diam. 28



Padlockable lever
G1/8" pressure fitting
Steel fixing bracket

- HTB 650 °C for 30' (DIN EN331 B0.1)
- HTB 650 °C for 30' (DIN EN331 C1) - TAE



| Code | DN | FIREBAG [®] TAE | GST [®] GS m ³ /h | D1 | D2 | H1 | H2 | L1 | L2 | M | SW | P | Pack |
|------------|----|-----------------------------|--|-----|-----|----|----|-----|----|----|----|---------|------|
| G6130SL100 | 25 | | | Ø28 | G2" | 41 | 53 | 158 | 40 | 82 | 10 | 100+120 | 5 |
| G6230SL100 | 25 | • | | Ø28 | G2" | 41 | 53 | 171 | 40 | 82 | 10 | 100+120 | 5 |
| G6330SL200 | 25 | | V _{GAS} =2.5 | Ø28 | G2" | 41 | 53 | 175 | 40 | 82 | 10 | 100+120 | 5 |
| G6330SL300 | 25 | | V _{GAS} =4.0 | Ø28 | G2" | 41 | 53 | 175 | 40 | 82 | 10 | 100+120 | 5 |
| G6330SL400 | 25 | | V _{GAS} =6.0 | Ø28 | G2" | 41 | 53 | 175 | 40 | 82 | 10 | 100+120 | 5 |

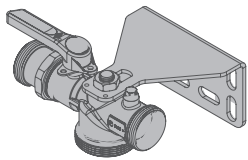
TECO Srl
Via Sandro Pertini, 39/41 - Zona industriale Noccole, 25050 Provaglio d'Iseo (BS)

+39 030 6850510 | +39 030 6850555
info@tecosrl.it | www.tecosrl.it



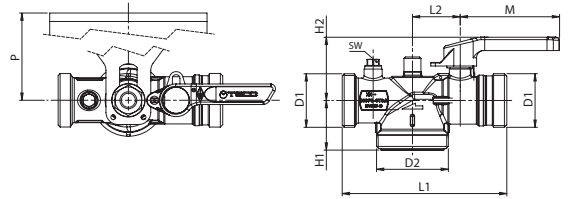
Straight threaded valve with connection for DIN 3436 fittings

Inlet: G 1"3/8 connection - Outlet: G 1"3/8 connection



Padlockable lever
G1/8" pressure fitting
Steel fixing bracket

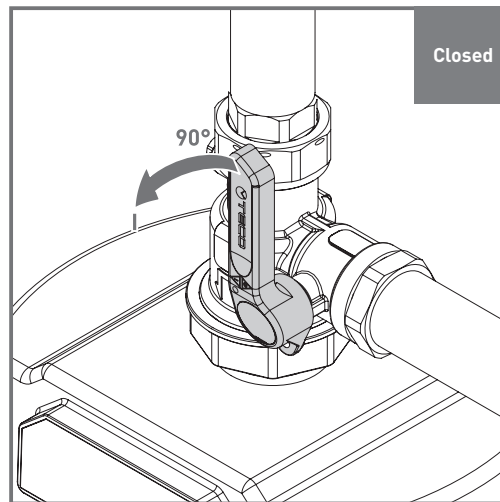
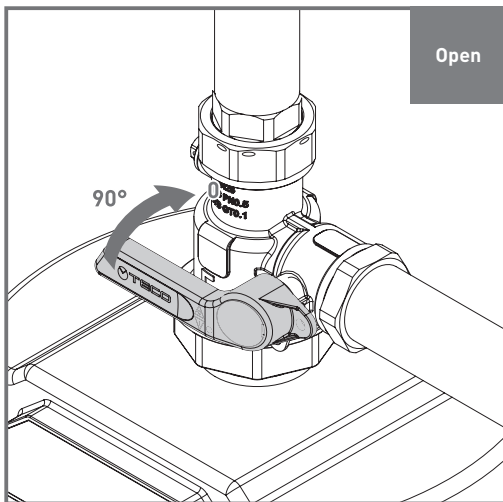
- HTB 650 °C for 30' (DIN EN331 C0.1)
- HTB 650 °C for 30' (DIN EN331 C5) - TAE



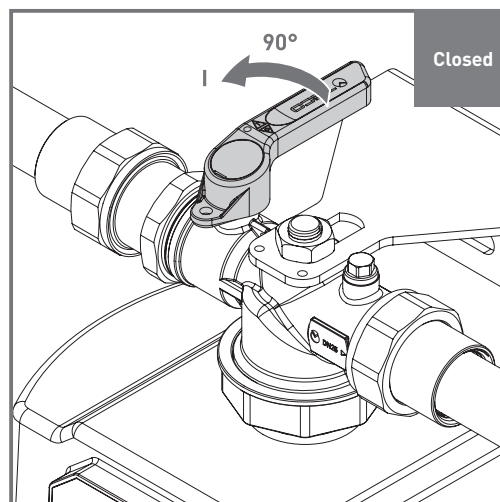
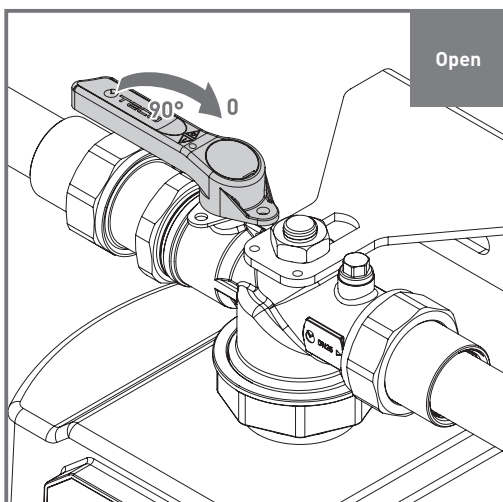
| Code | DN | FIREBAG TAE | GST® GS m³/h | D1 | D2 | H1 | H2 | L1 | L2 | M | SW | P | Pack |
|------------|----|----------------|-----------------------|---------|-----|----|----|-----|----|----|----|---------|------|
| G61306L100 | 25 | | | G1" 3/8 | G2" | 41 | 52 | 136 | 40 | 82 | 10 | 100+120 | 5 |
| G62306L100 | 25 | • | | G1" 3/8 | G2" | 41 | 52 | 162 | 40 | 82 | 10 | 100+120 | 5 |
| G63306L200 | 25 | | V _{GAS} =2.5 | G1" 3/8 | G2" | 41 | 52 | 162 | 40 | 82 | 10 | 100+120 | 5 |
| G63306L300 | 25 | | V _{GAS} =4.0 | G1" 3/8 | G2" | 41 | 52 | 162 | 40 | 82 | 10 | 100+120 | 5 |
| G63306L400 | 25 | | V _{GAS} =6.0 | G1" 3/8 | G2" | 41 | 52 | 162 | 40 | 82 | 10 | 100+120 | 5 |

OPERATION AND TECHNOLOGIES

Right-angle version



Straight version



TECO Srl
Via Sandro Pertini, 39/41 - Zona industriale Noccole, 25050 Provaglio d'Iseo (BS)

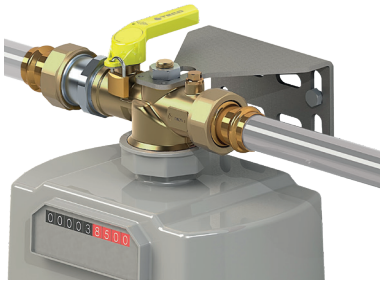
+39 030 6850510 | +39 030 6850555
info@tecosrl.it | www.tecosrl.it

TECO®
INNOVATING SAFETY



PAD-LOCKABLE LEVER

All of the valves can be padlocked in the closed position.



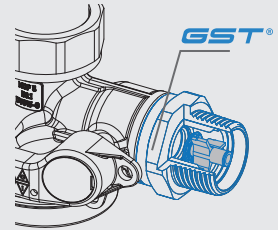
PRESSURE FITTING

All G6 valves for single-pipe gas meters have a pressure fitting that is certified in accordance with DVGW VP 308

GST®

The valves are available with the GST® excess flow safety device built into the steel inlet fitting.

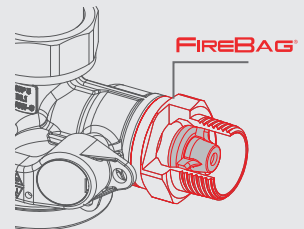
The valve sizes remain unchanged. The GST® excess flow safety device is built in accordance with the DVGW VP 305-1 standard and is built into the valves/fittings; it has a flow rate V_{gas} 2.5 - 4.0 - 6.0 m³/h at a maximum pressure of 100 mbar.



FIREBAG® - TAE

G6 valves are available with the FIREBAG® thermal safety device built into the steel inlet fitting. The valve sizes remain unchanged.

The FIREBAG® device meets the requirements of the DIN 3586 standard and is built into the valves/fittings. The thermal device activates at a temperature of 100 °C - 5K and can withstand temperatures of up to 650 °C for 30 minutes at a pressure of 5 bar.

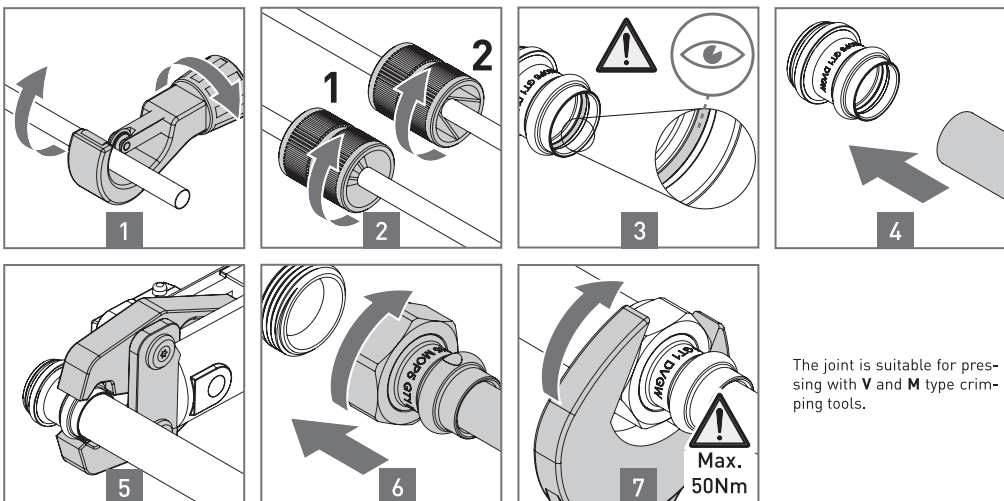


G6 valves are supplied with a single built-in safety device.



PRESSFITTING CONNECTION G-PRESS RG FOR COPPER PIPES

Pressfitting connection for copper pipe according to DVGW VP 614 and UNI 11065. Copper pipes according to UNI 1057 R290 (Ø15x1 / Ø18x1 / Ø22x1 / Ø28x1 / Ø28x1,5 mm) - R250 (Ø22x1 / Ø28x1 / Ø28x1,5 mm) - R220 (Ø22x1 mm).



The joint is suitable for pressing with V and M type crimping tools.

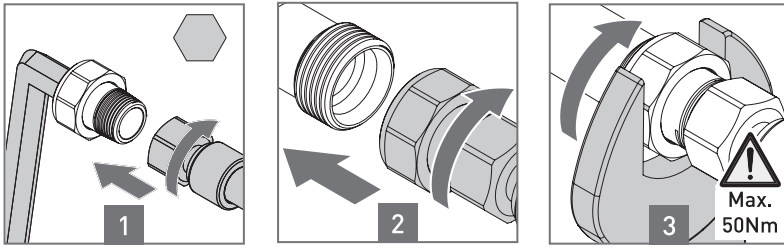
TECO Srl
Via Sandro Pertini, 39/41 - Zona industriale Noccole, 25050 Provaglio d'Iseo (BS)

+39 030 6850510 | +39 030 6850555
info@tecosrl.it | www.tecosrl.it



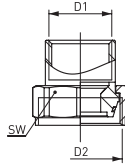
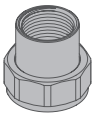
CONNECTION WITH THREADED COUPLINGS

Threaded connection according to **EN 10226-1**



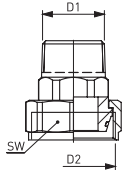
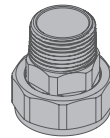
DIN 3436 G1" 3/8 FITTINGS WITH TAPERED SEALS

Rp 1" fitting



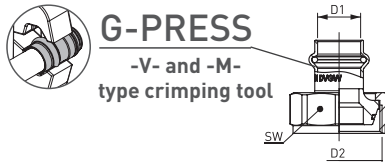
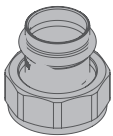
| Code | D1 | D2 | SW | Pack |
|--------------|------|--------|----|------|
| CD0131453100 | Rp1" | 1" 3/8 | 48 | 10 |

R1" fitting



| Code | D1 | D2 | SW | Pack |
|--------------|-----|--------|----|------|
| CD0131453200 | R1" | 1" 3/8 | 48 | 10 |

Crimp fitting



| Code | D1 | D2 | SW | Pack |
|--------------|-----|--------|----|------|
| CD01314B3100 | Ø22 | 1" 3/8 | 48 | 10 |
| CD01314B4100 | Ø28 | 1" 3/8 | 48 | 10 |

ITEM SPECIFICATIONS

G6: Valve for single-pipe gas meter

G6 valves are specifically for single-pipe gas meters that are EN331 DVGW and DIN 3376-2 certified. Straight version with meter bracket or 90° version. The connections are by threaded shank and swivel nut, G-Press press-fit with swivel nut with tapered seal (DIN 3436), or direct connections on the valve body. Available with GST® and FIREBAG® safety devices. The lever has a slot for padlocking. DVGW VP308 pressure fitting built into the valve body.

For all types of gas in accordance with EN 437 and DWG G260/1 (Methane, Propane and Butane).

MOP 5.

Working temperature -20 °C + 60 °C.

High-temperature resistance HTB 650 °C for 30' (EN 1775).